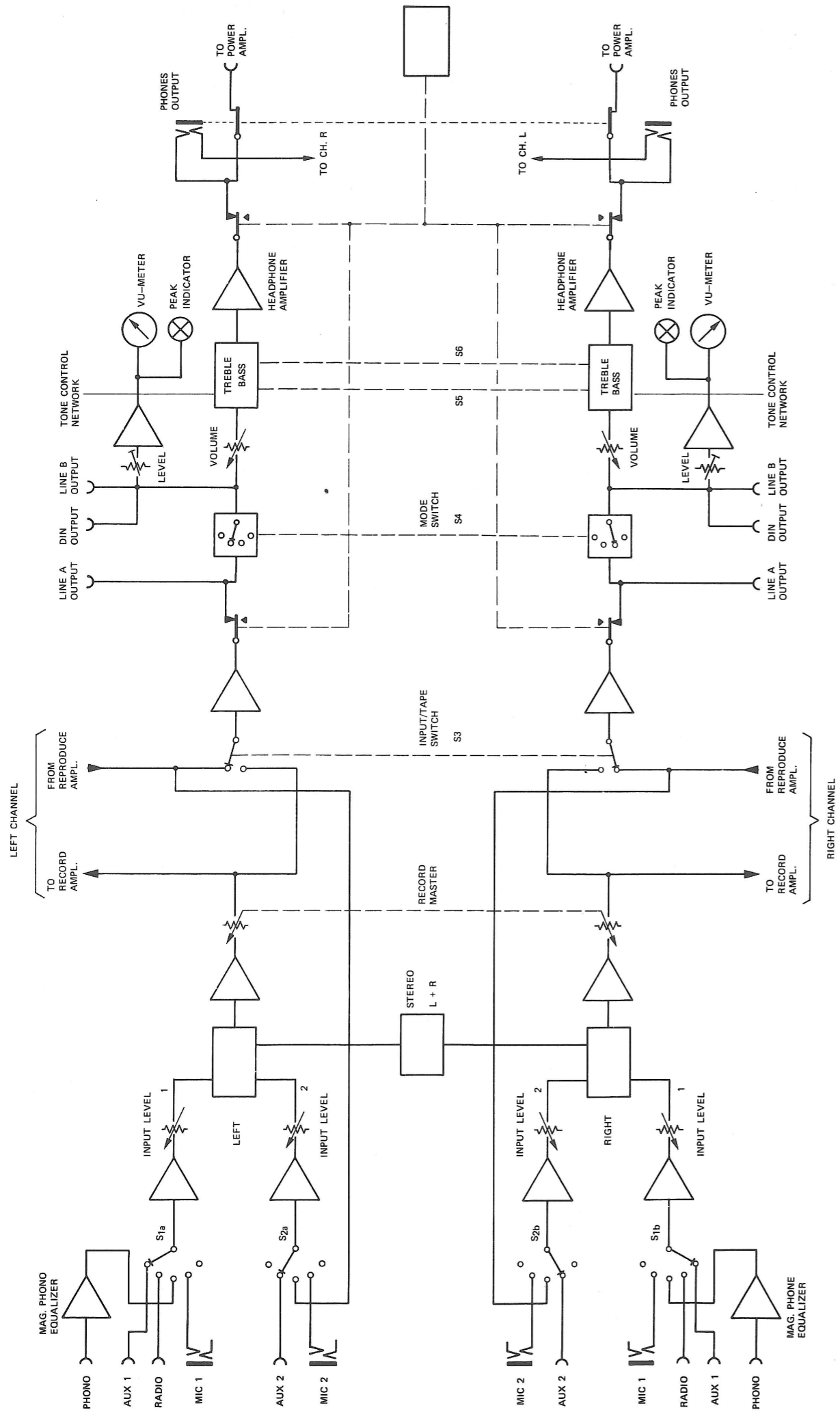


STUDER REVOX

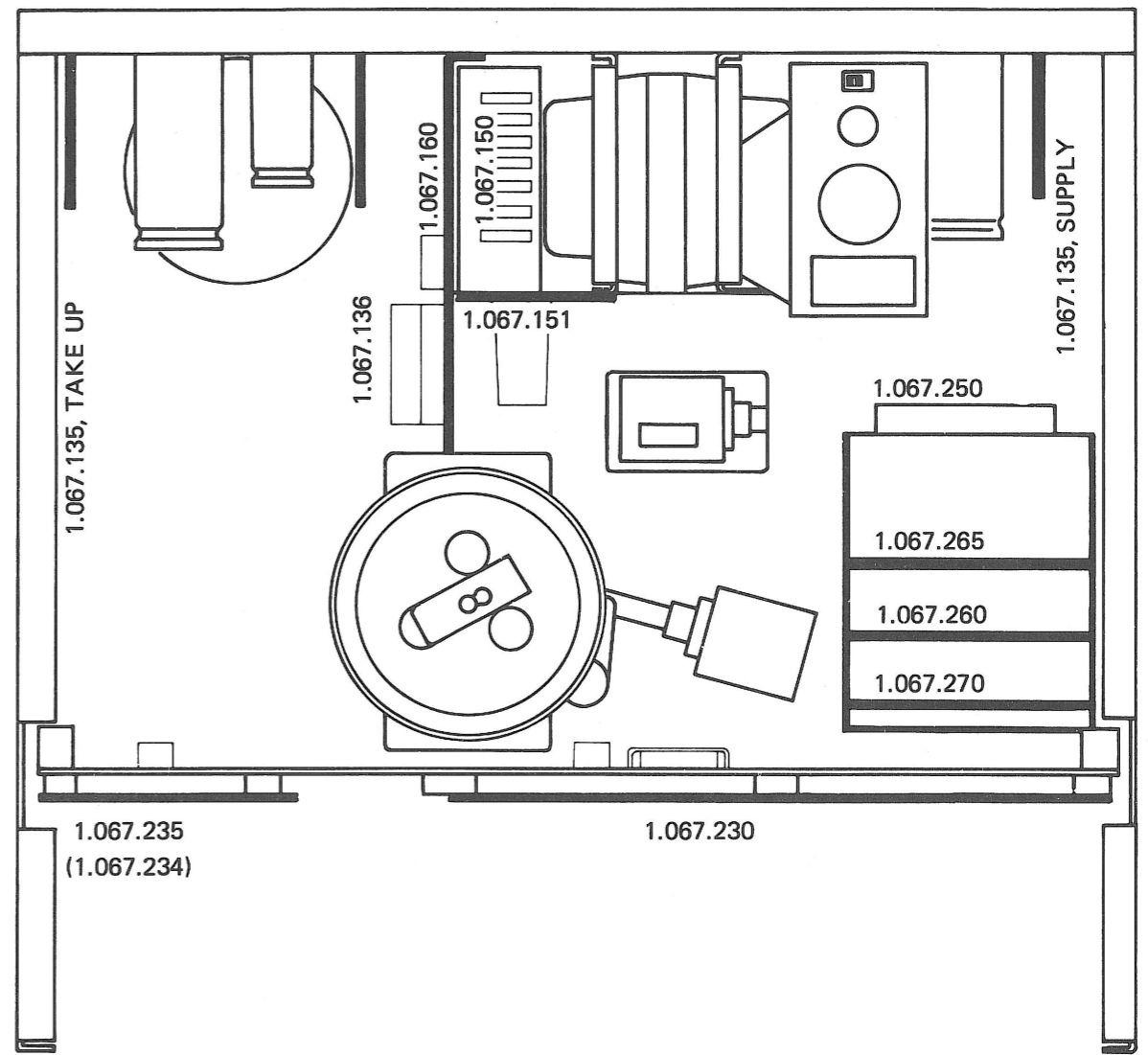
A700

**SET OF SCHEMATICS
SCHALTUNGSSAMMLUNG
RECUEIL DE SCHEMAS**

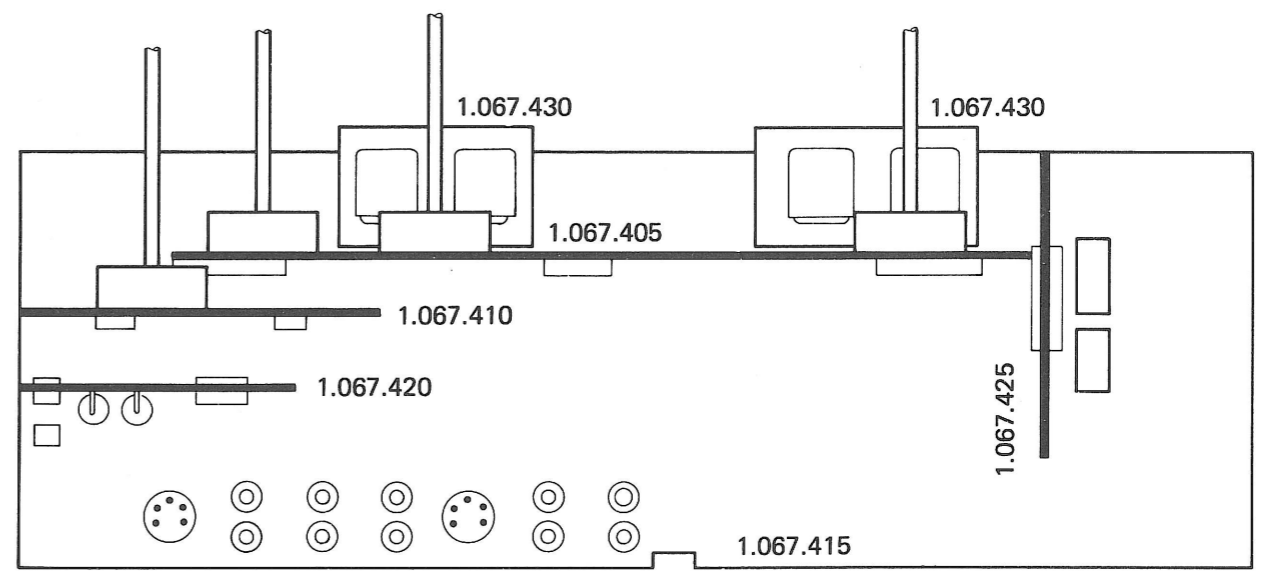
Änderungen vorbehalten
Sous réserve de modification
Subject to change



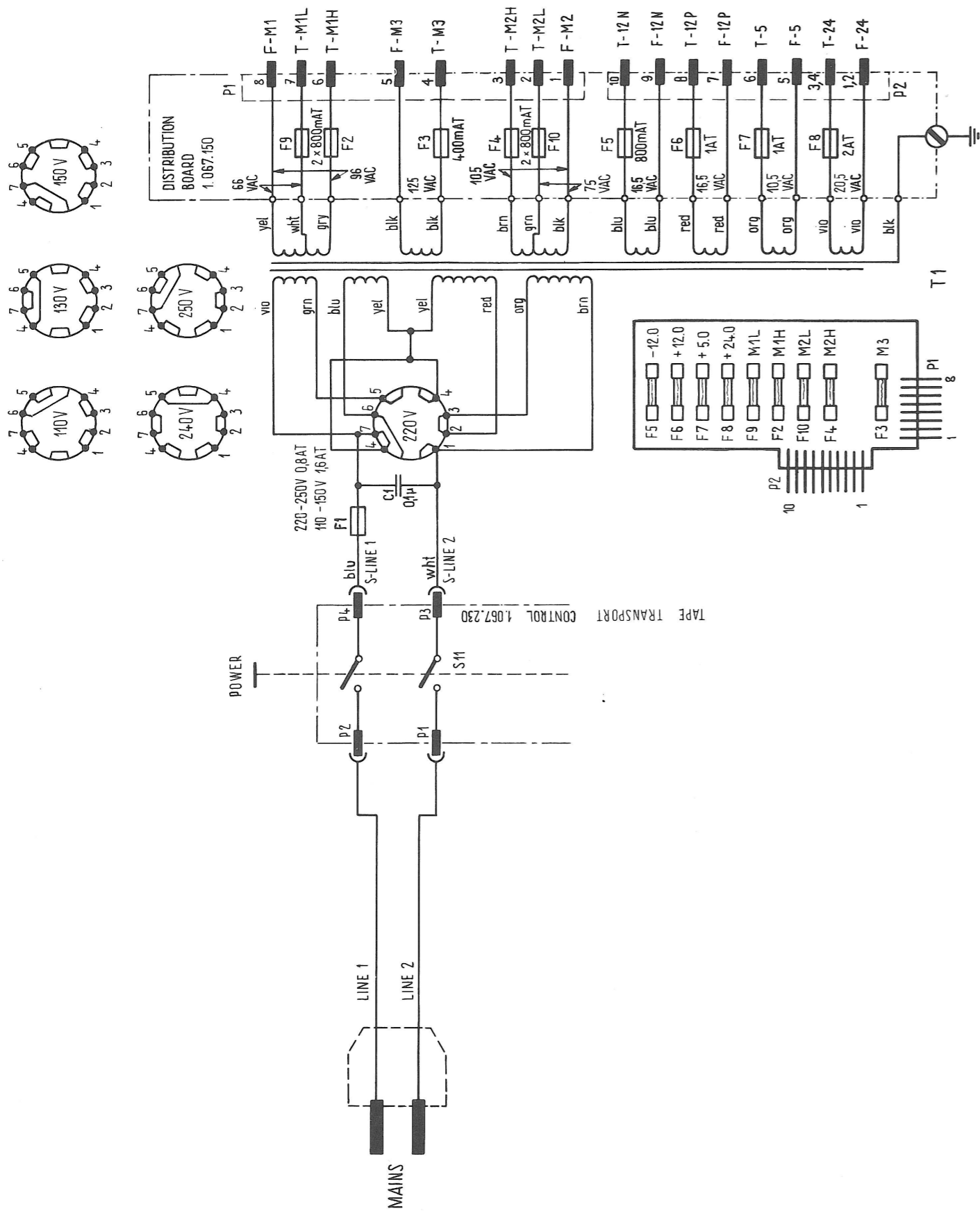
MIXING UNIT



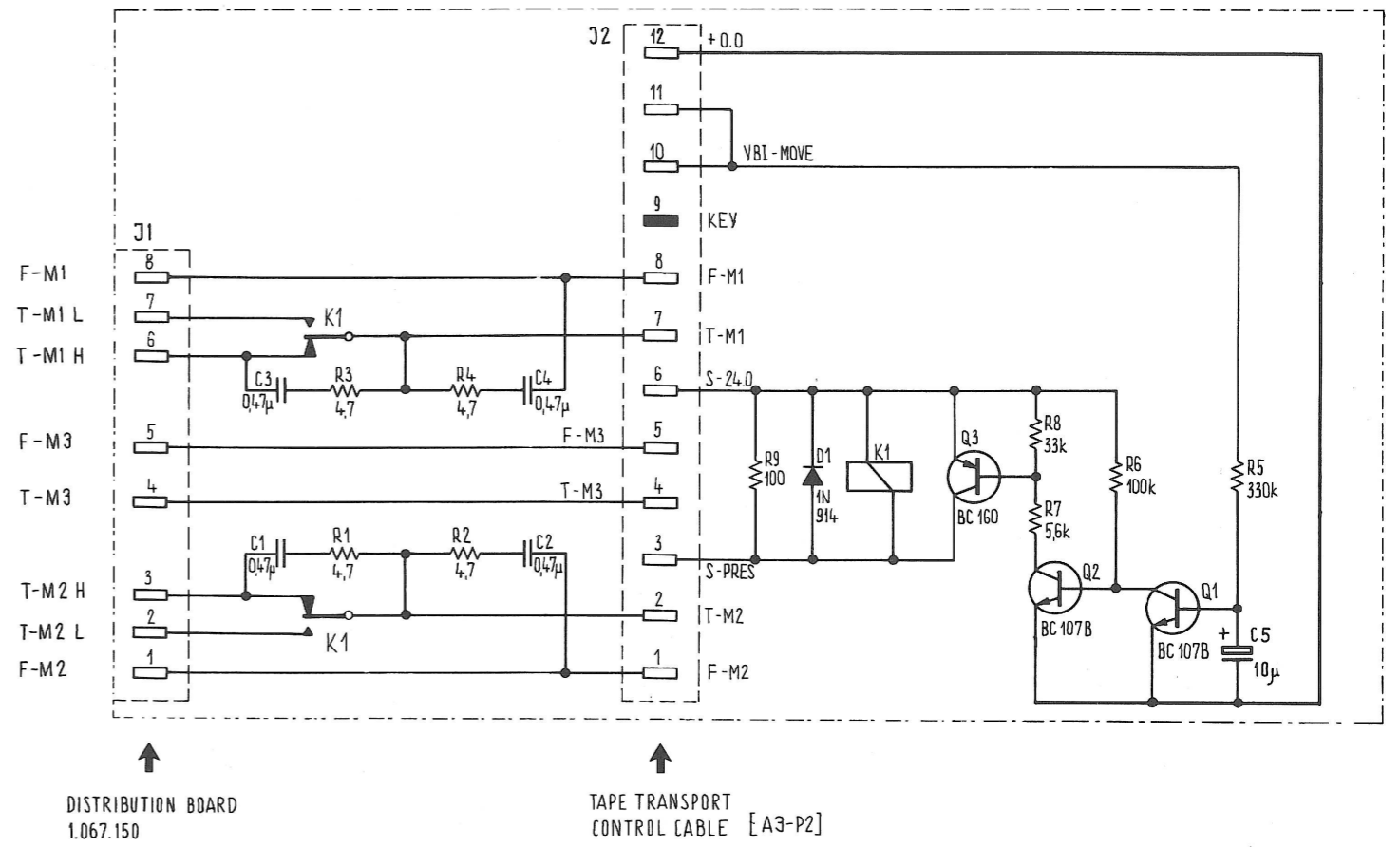
Tape transport control and Record-Reproduce PC cards



Audio PC cards

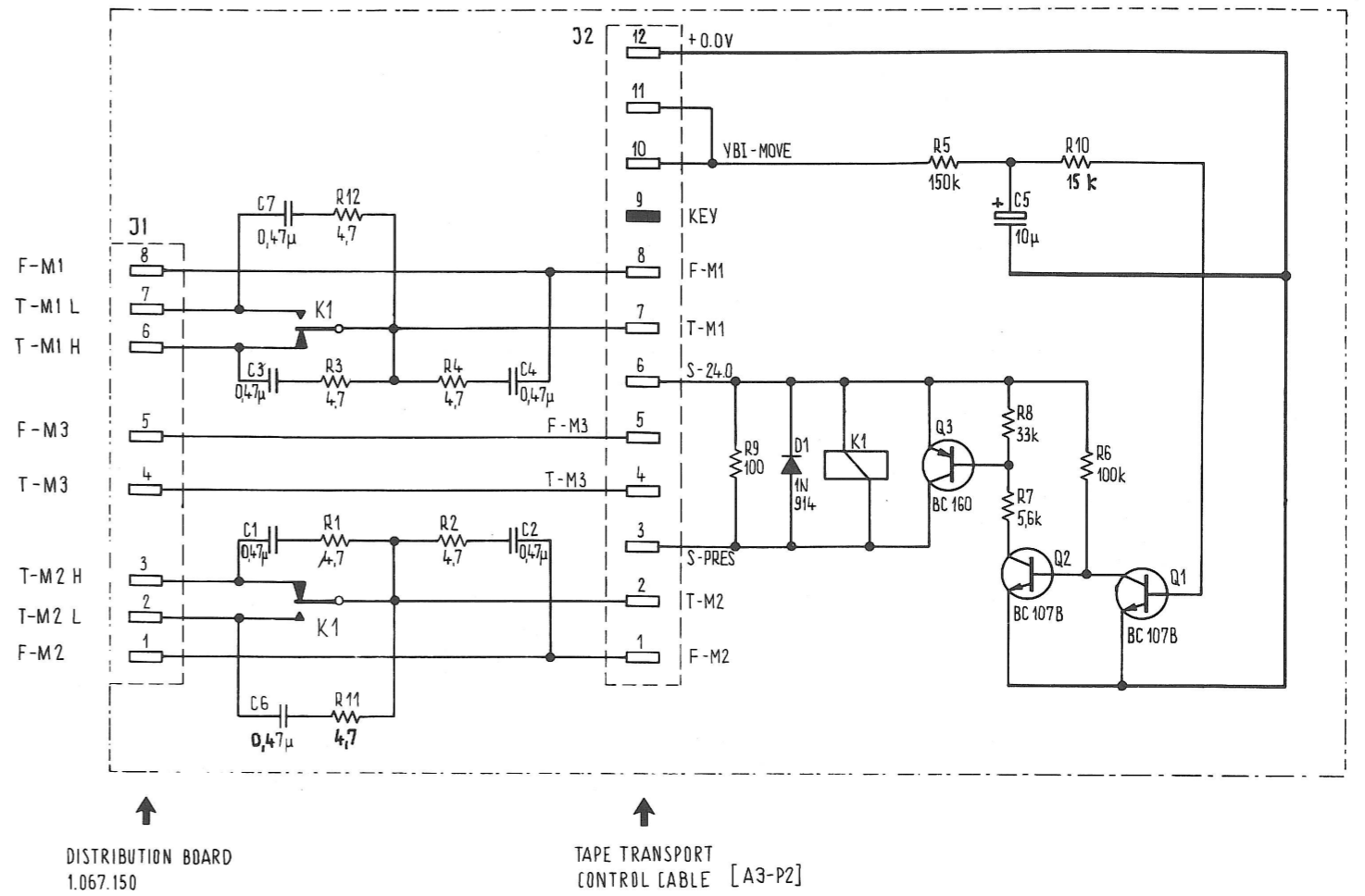


MAINS TRANSFORMER 1.067.131



DISTRIBUTION BOARD 1.067.150

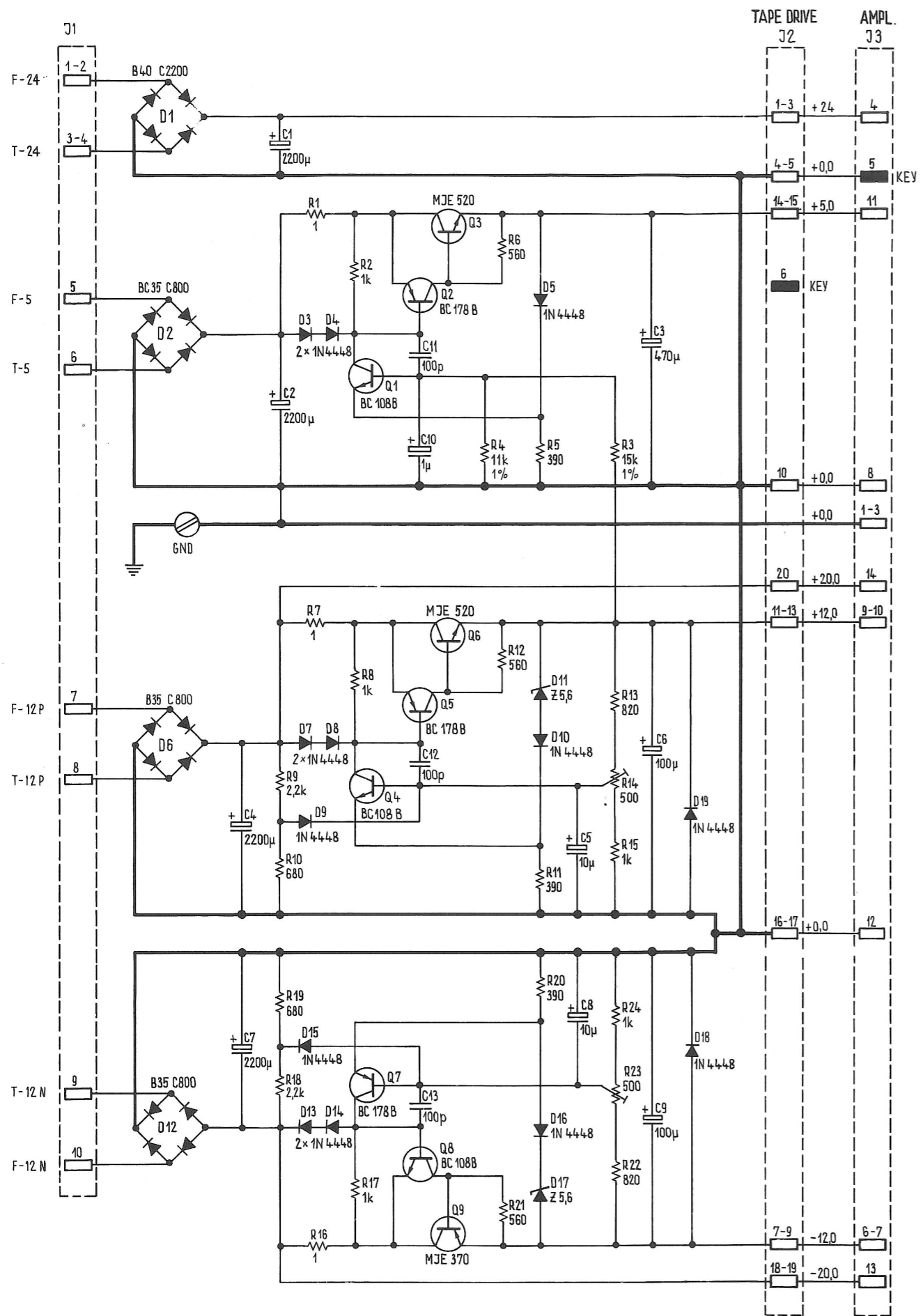
TAPE TRANSPORT CONTROL CABLE [A3-P2]



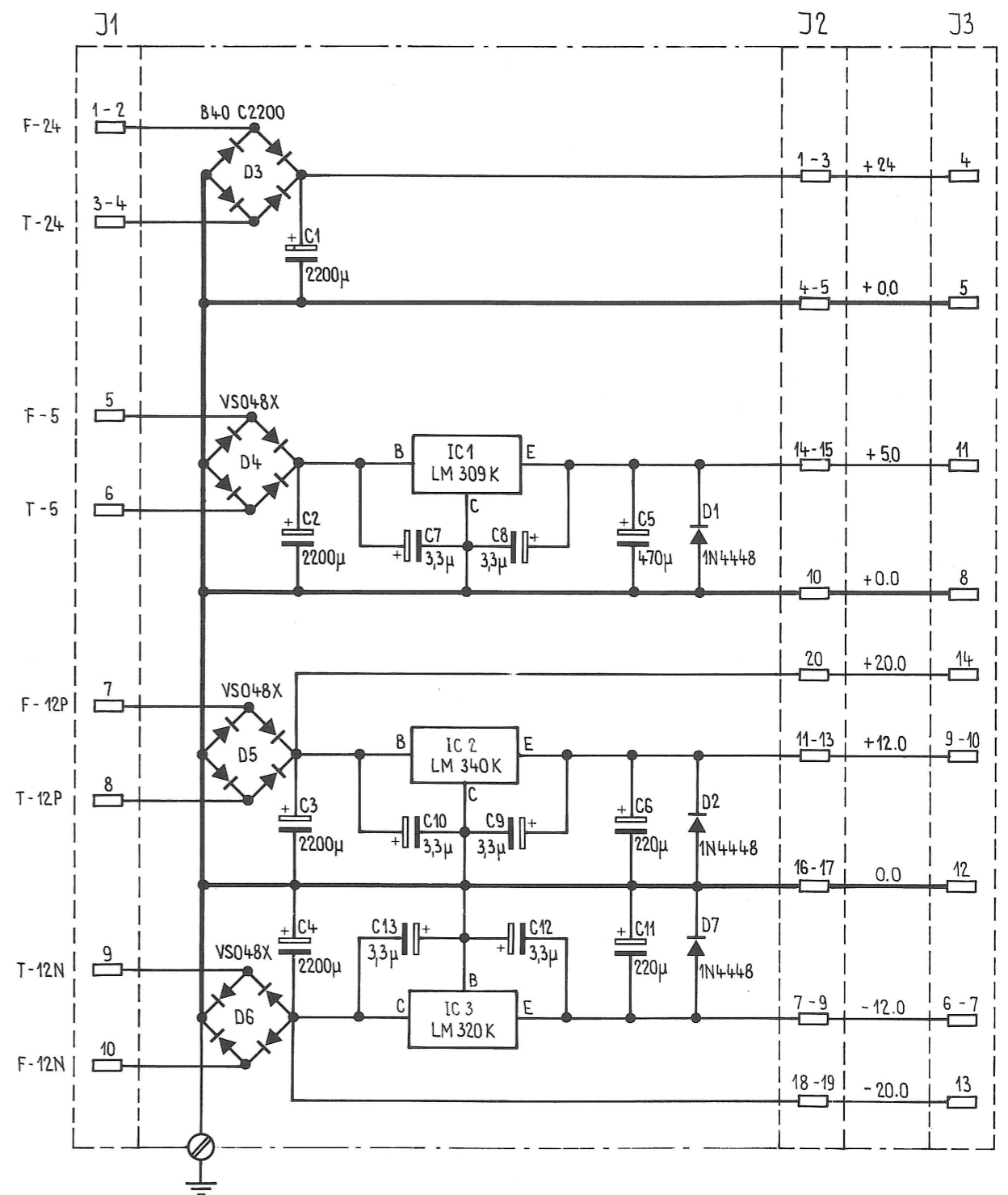
DISTRIBUTION BOARD 1.067.150

TAPE TRANSPORT CONTROL CABLE [A3-P2]

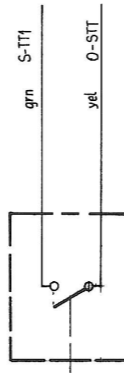
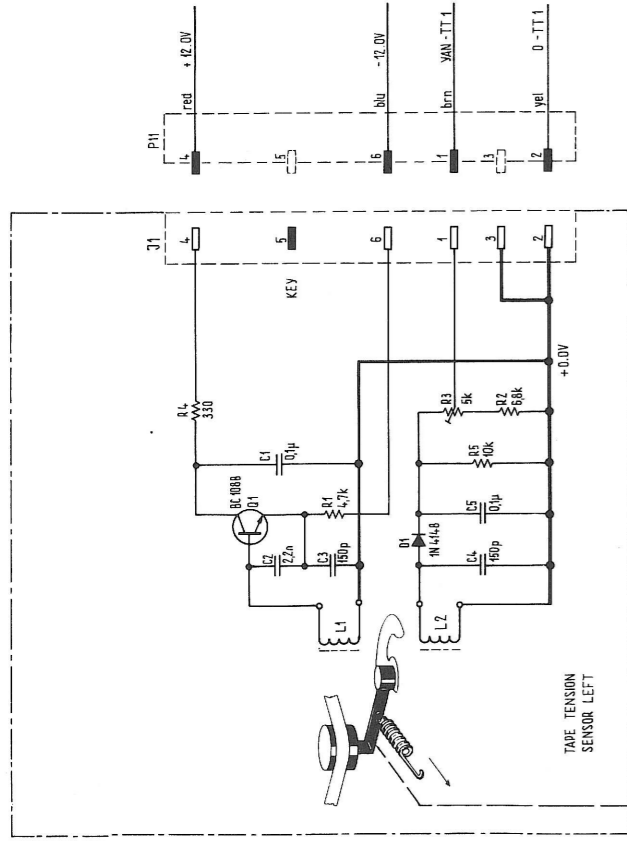
RELAY BOARD 1.067.151



POWER SUPPLY 1.067.160

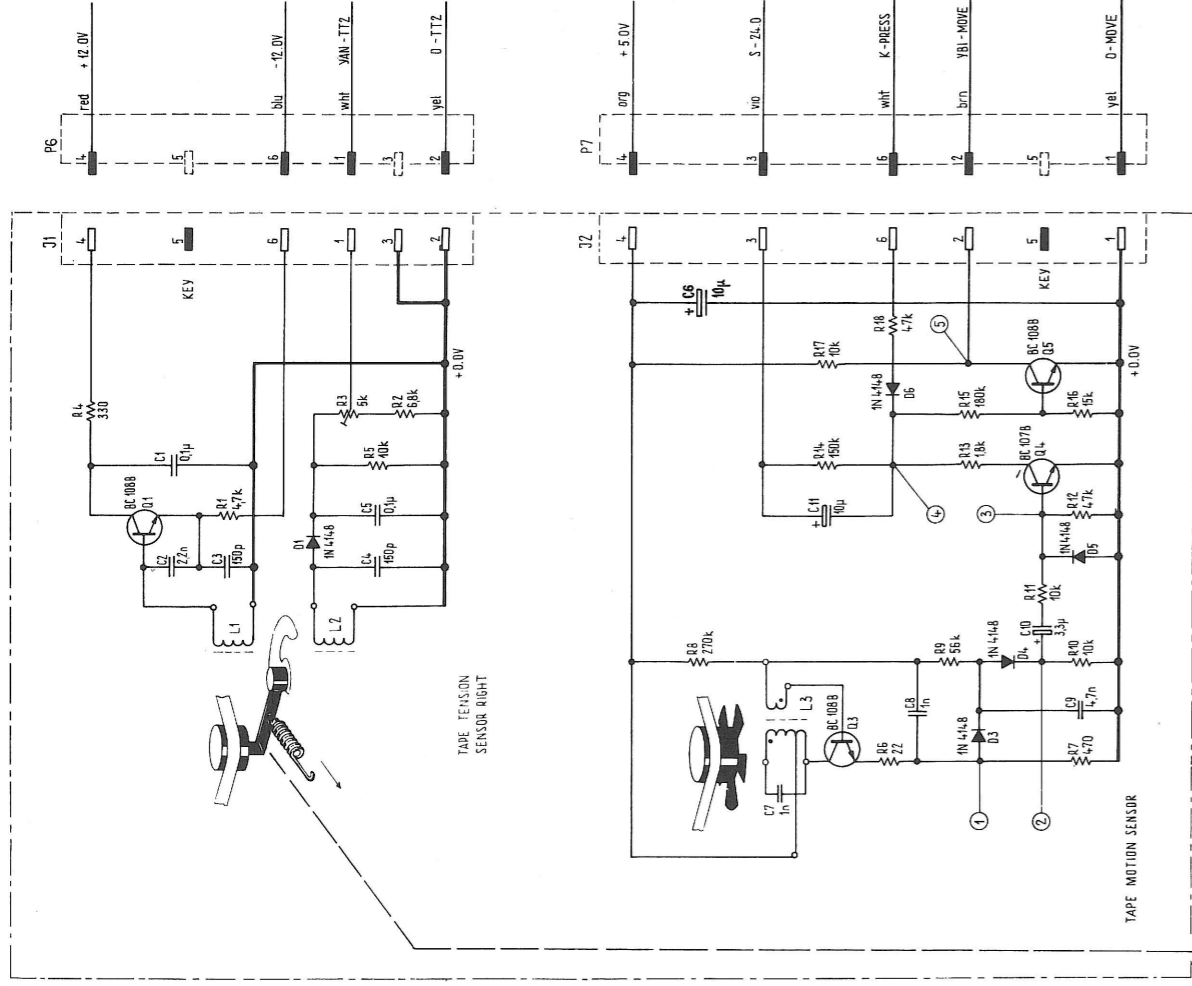


POWER SUPPLY 1.067.161

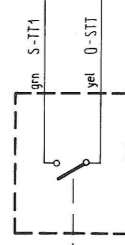
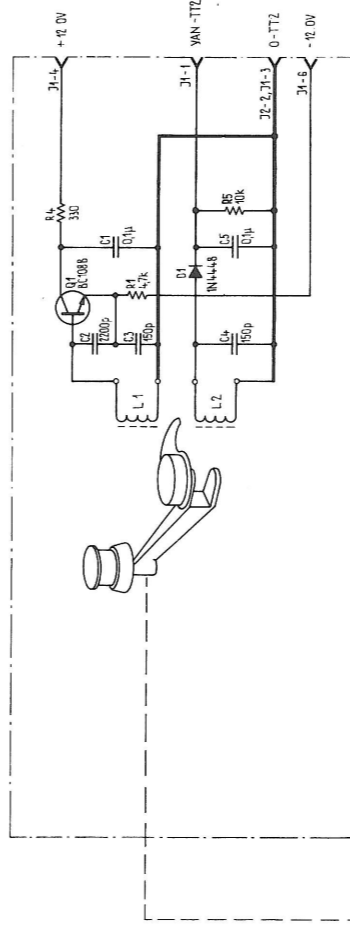


SENSOR BOARD, LEFT 1.067.190

* OPERATES ONLY IN CONJUNCTION WITH : 1.067.231

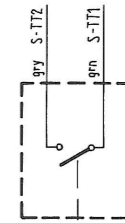
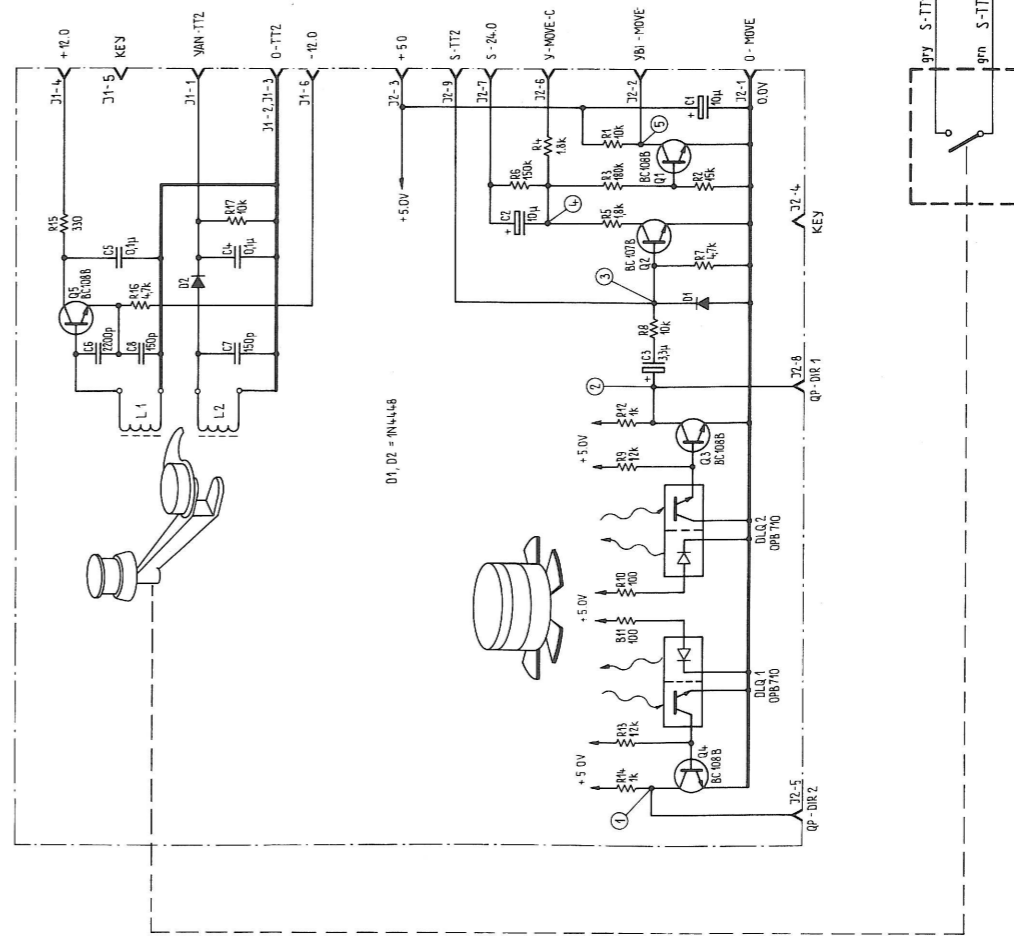


SENSOR BOARD, RIGHT 1.067.210

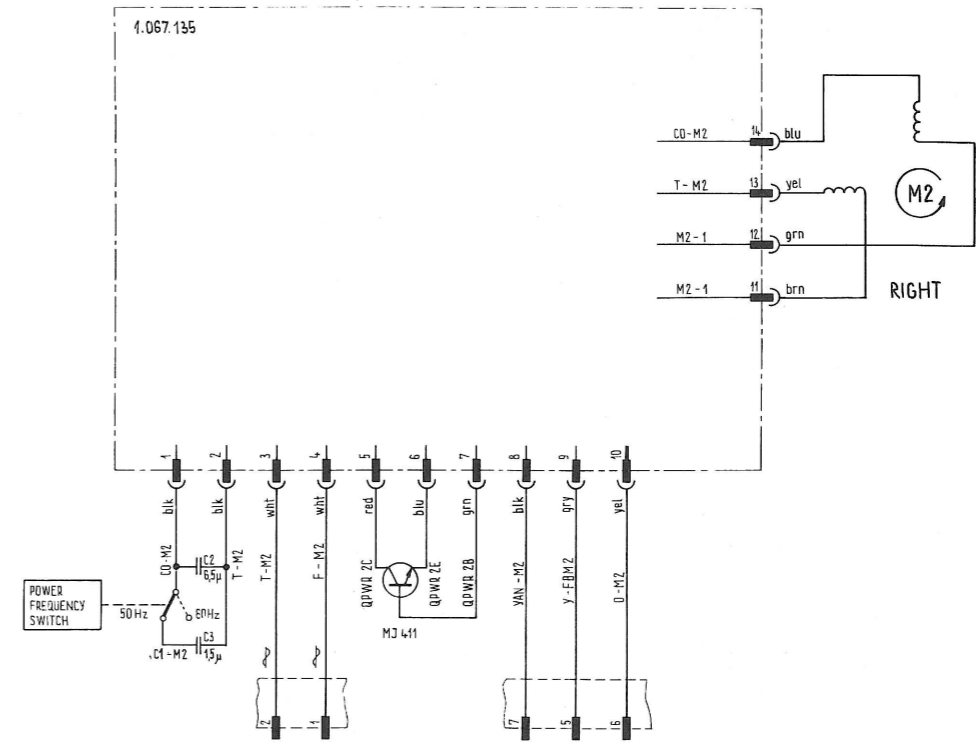
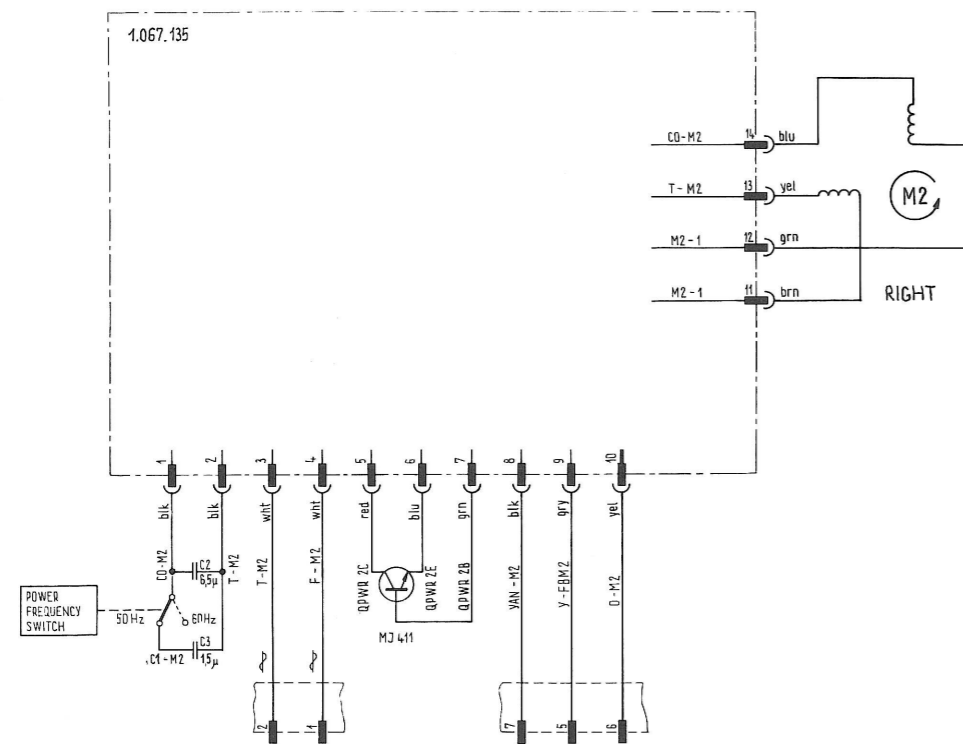
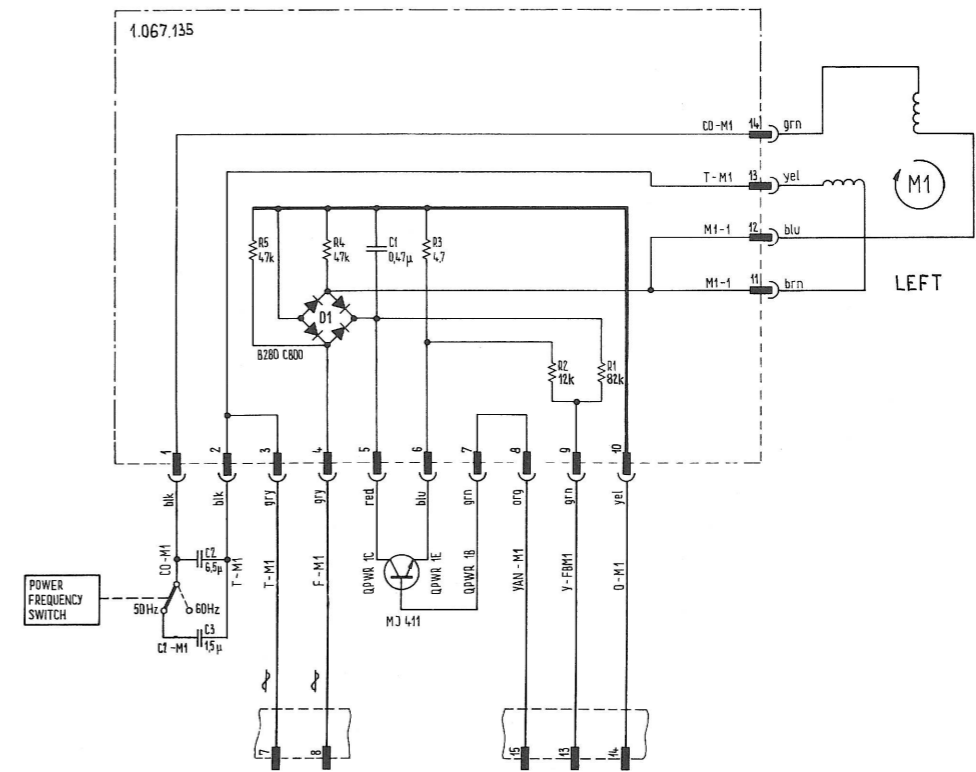
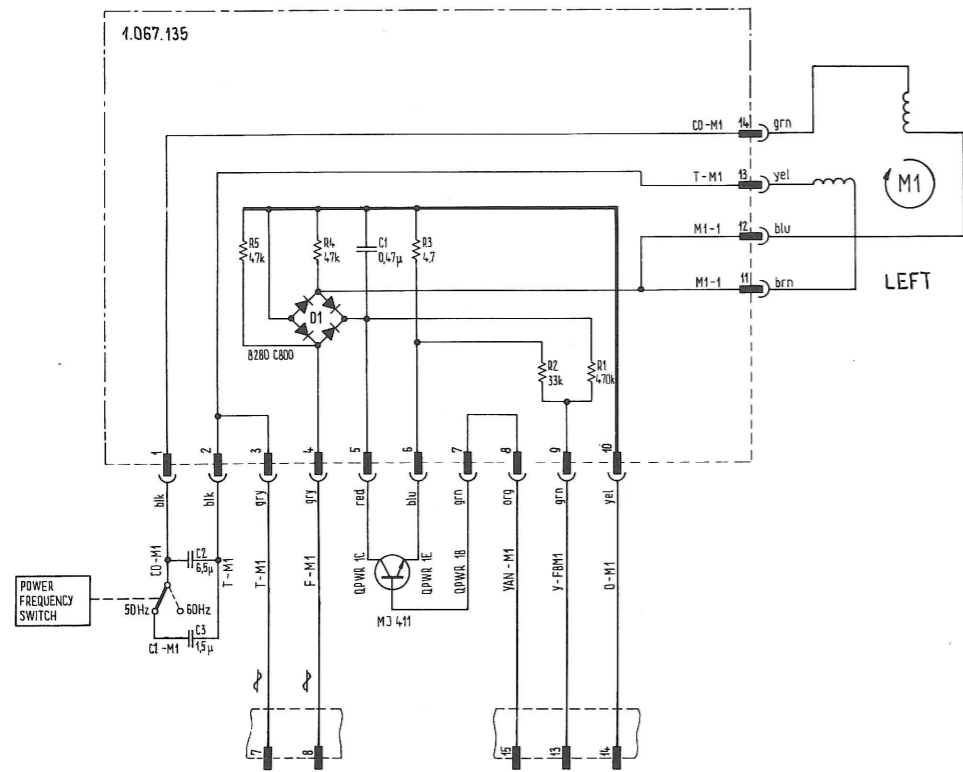


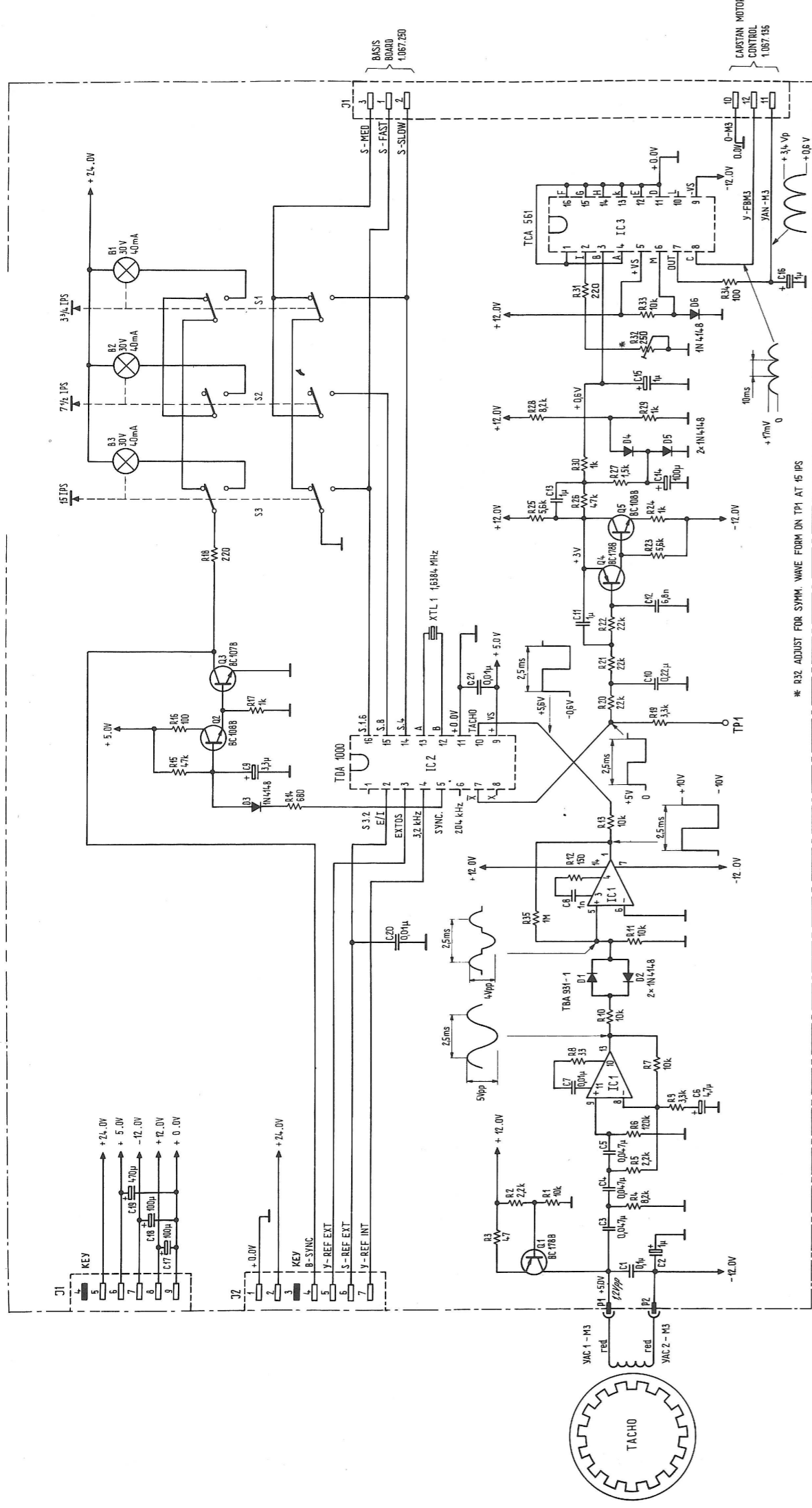
SENSOR BOARD, LEFT 1.167.769

* OPERATES ONLY IN CONJUNCTION WITH : 1.067.230

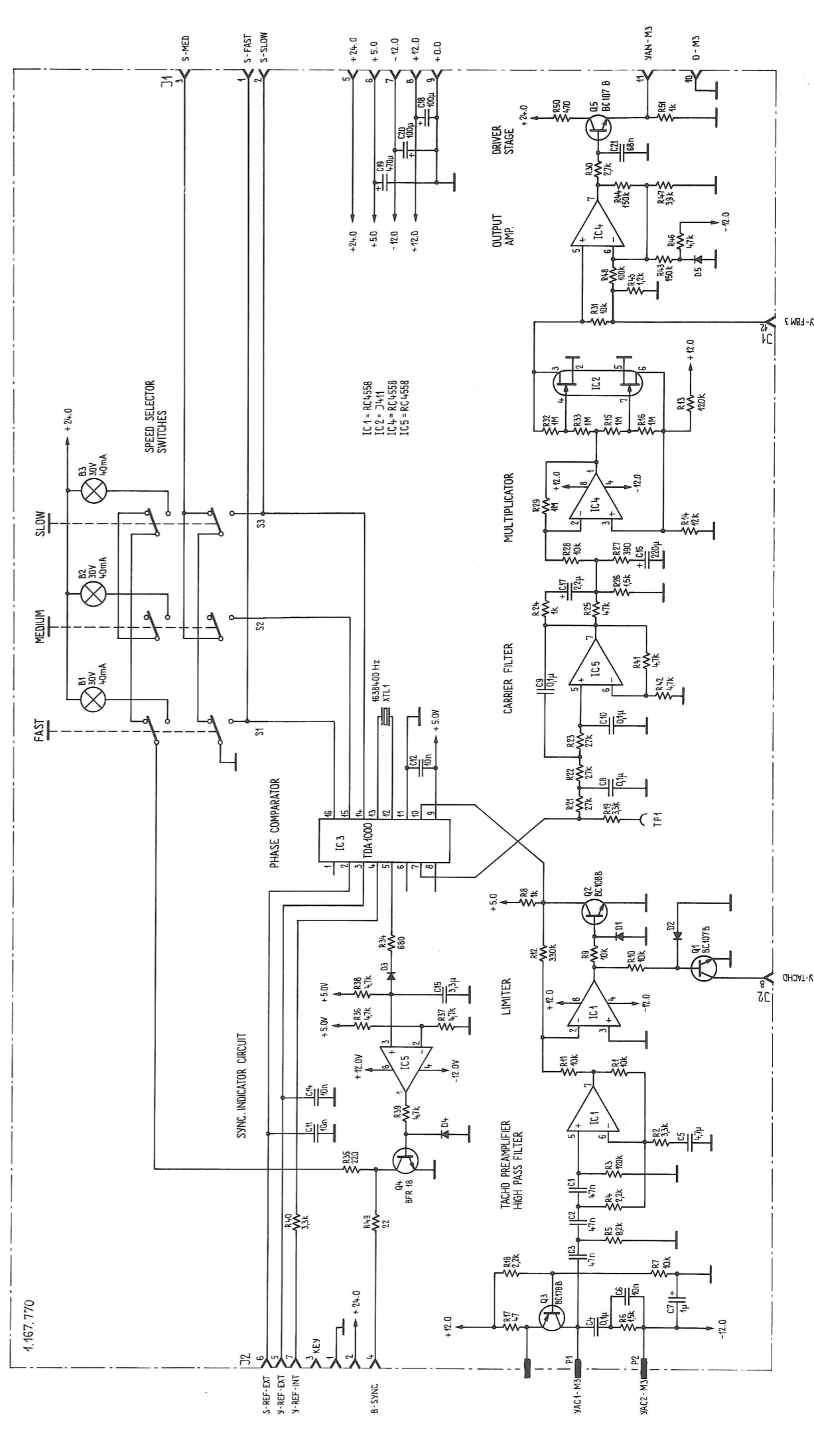


SENSOR BOARD, RIGHT 1.167.767

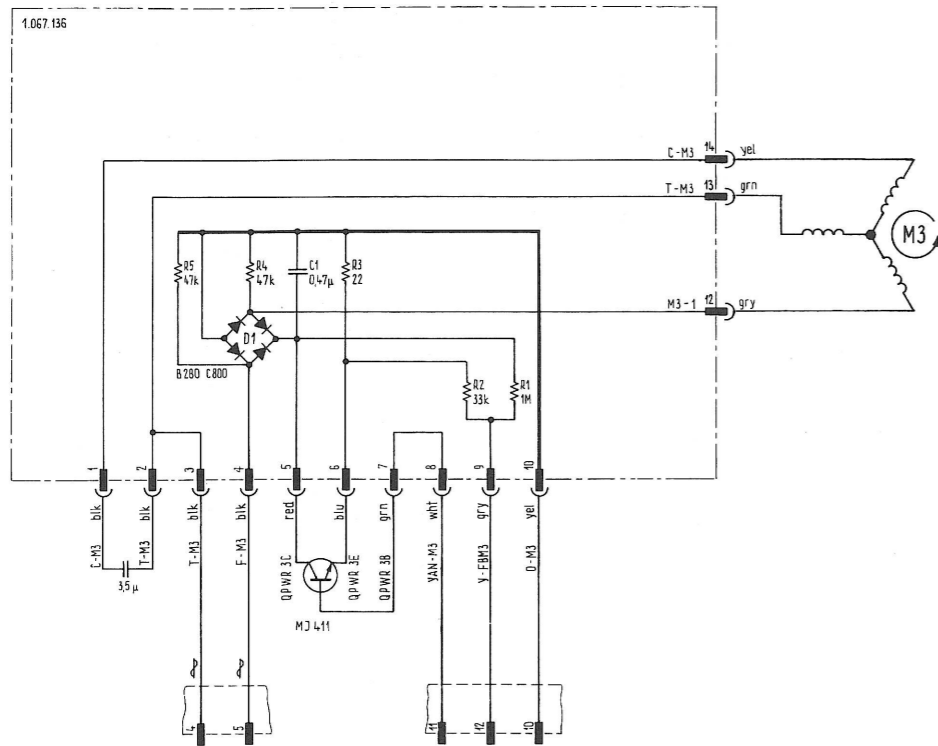




CAPSTAN SPEED CONTROL 1.067.235



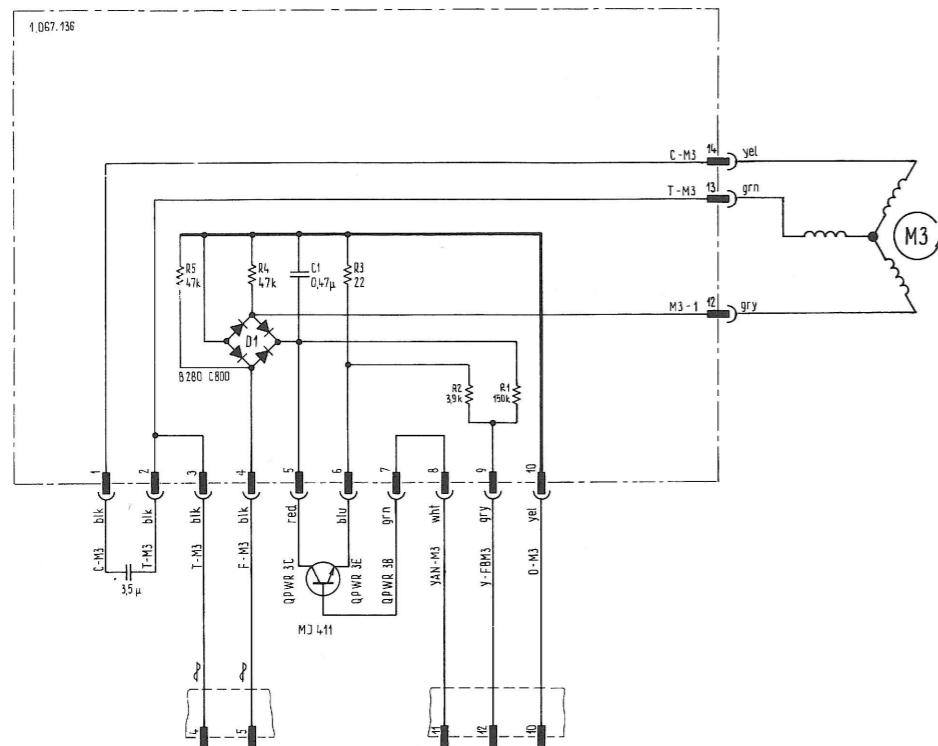
CAPSTAN SPEED CONTROL 1.167.770



** OPERATES ONLY IN CONJUNCTION WITH :1.067.235

CAPSTAN MOTOR CONTROL

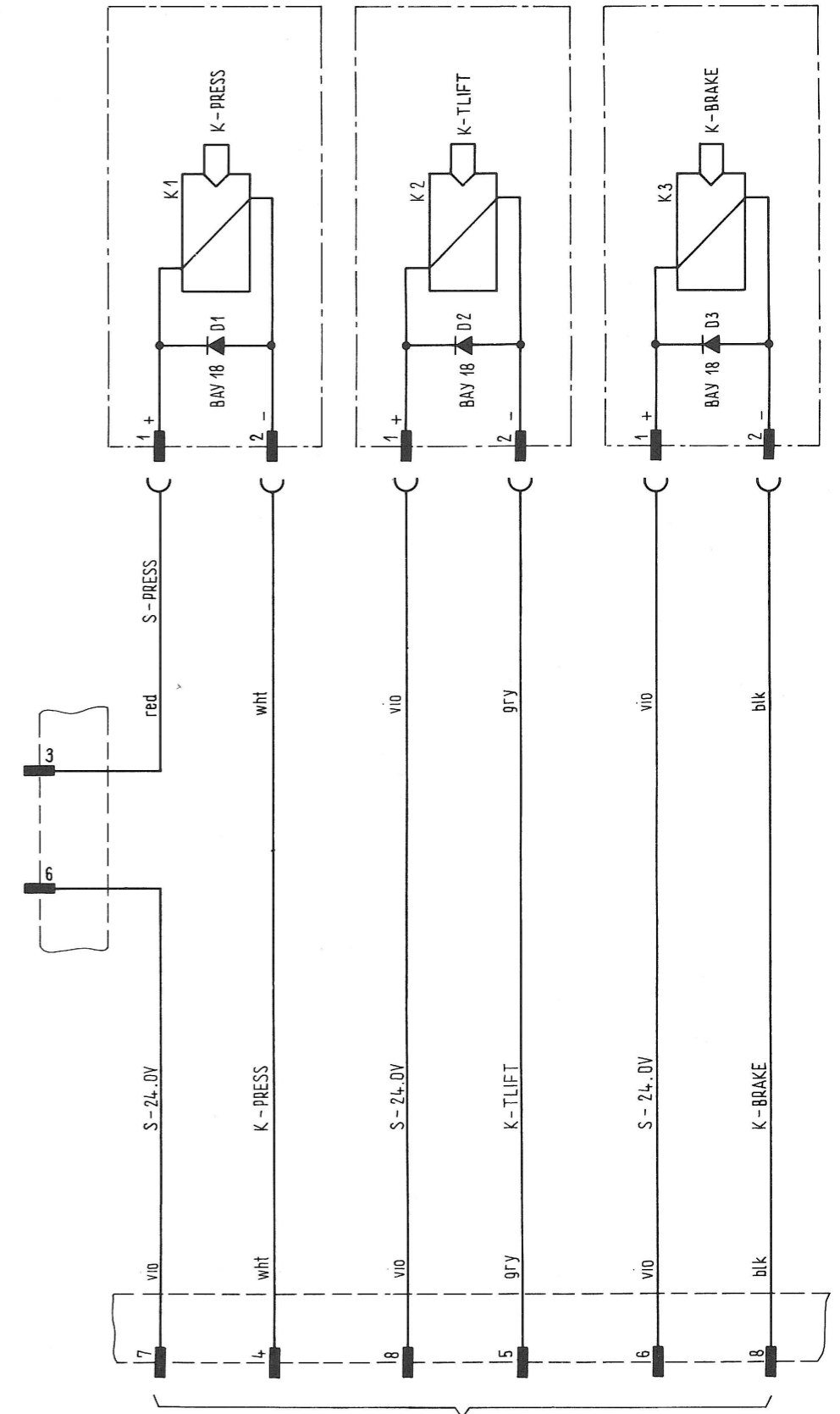
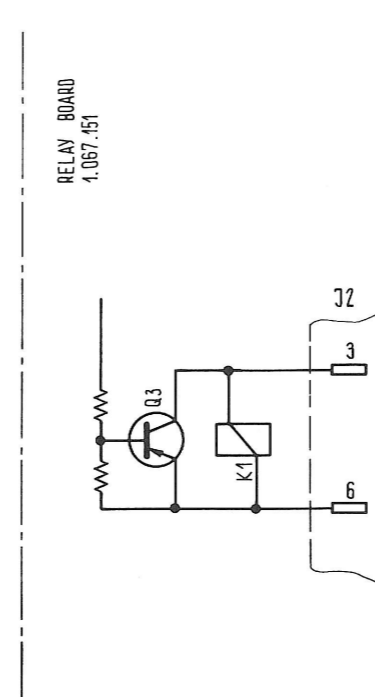
1.067.136



** OPERATES ONLY IN CONJUNCTION WITH :1.167.770

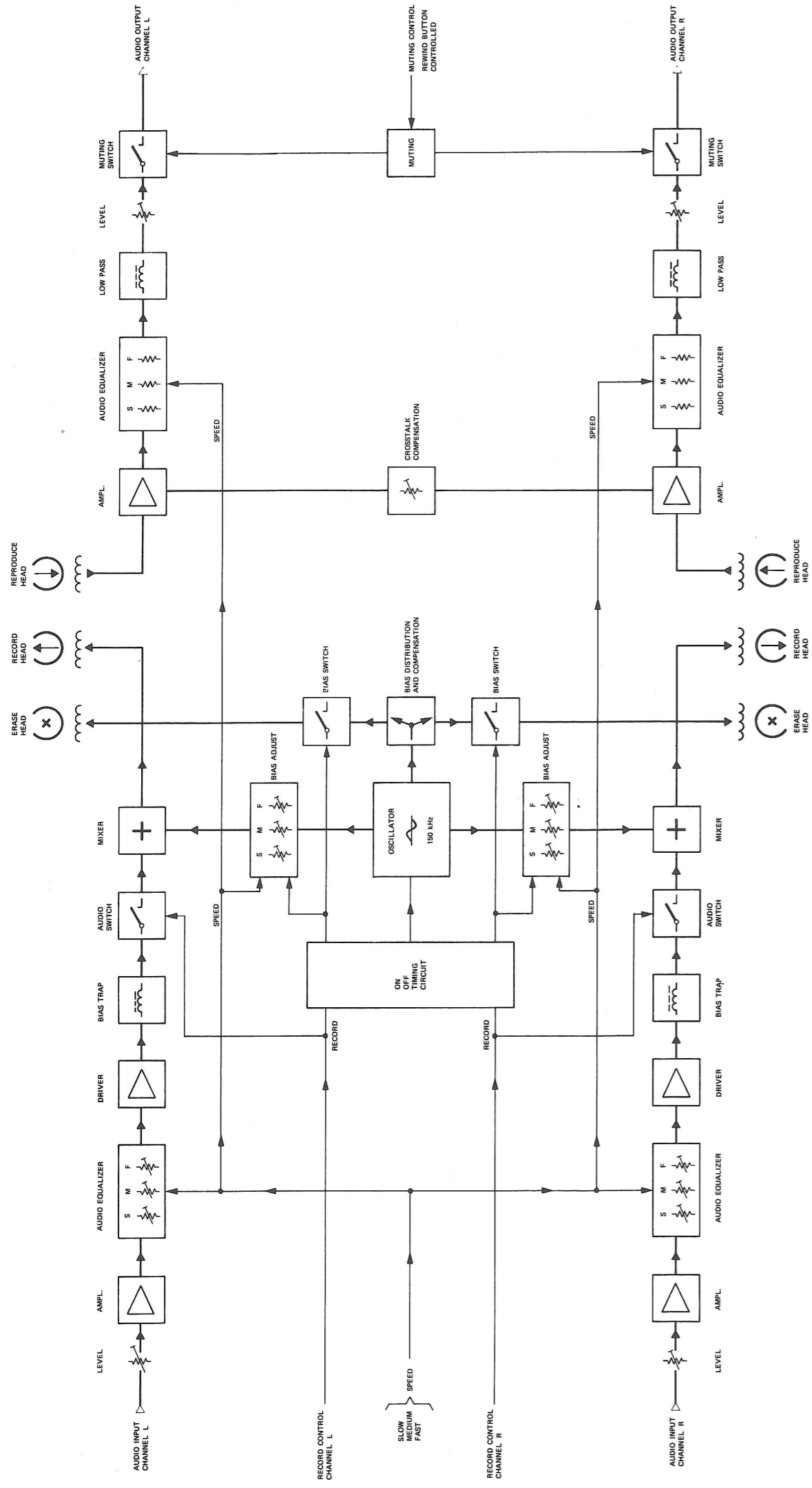
CAPSTAN MOTOR CONTROL

1.167.775

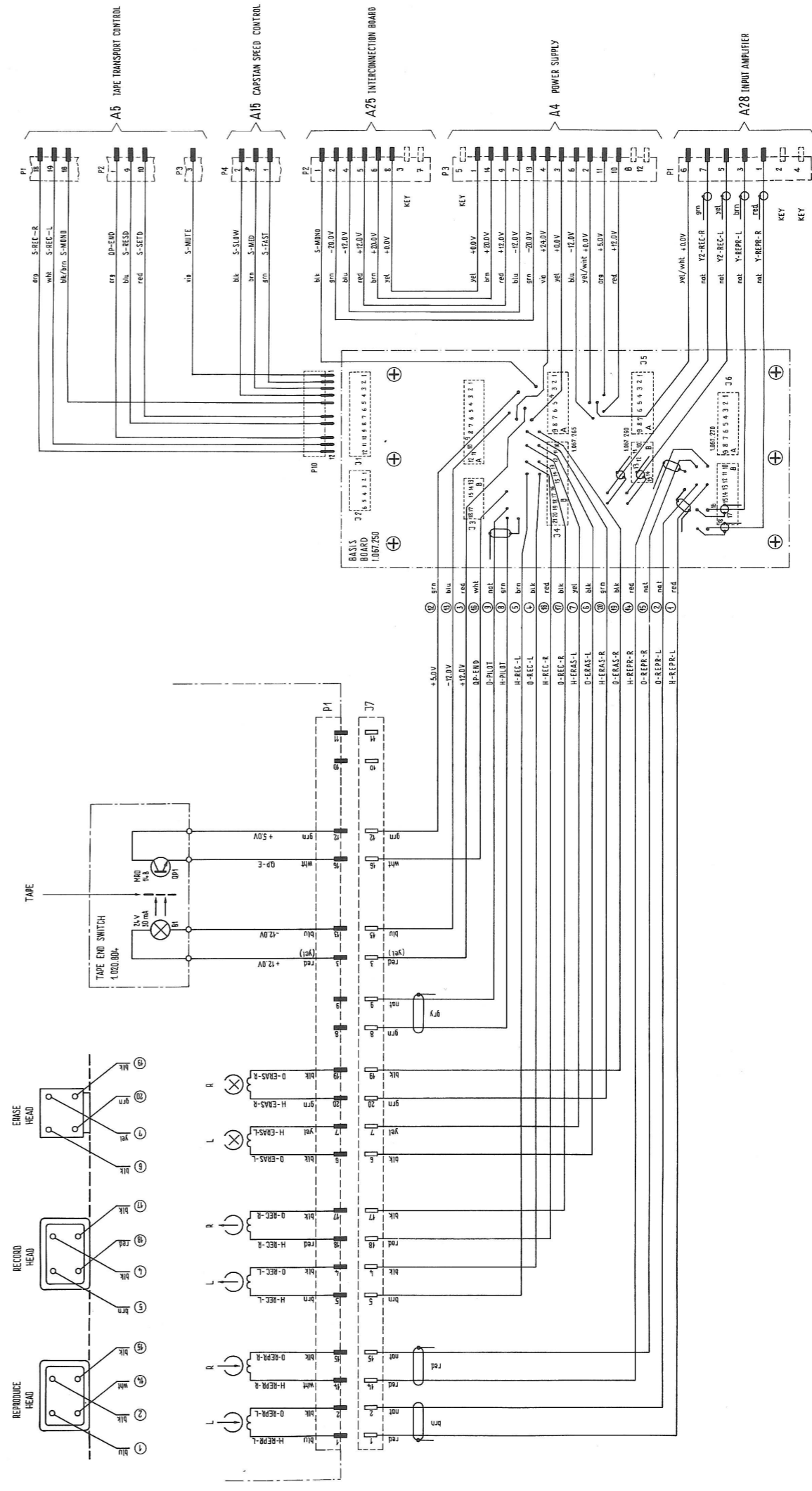


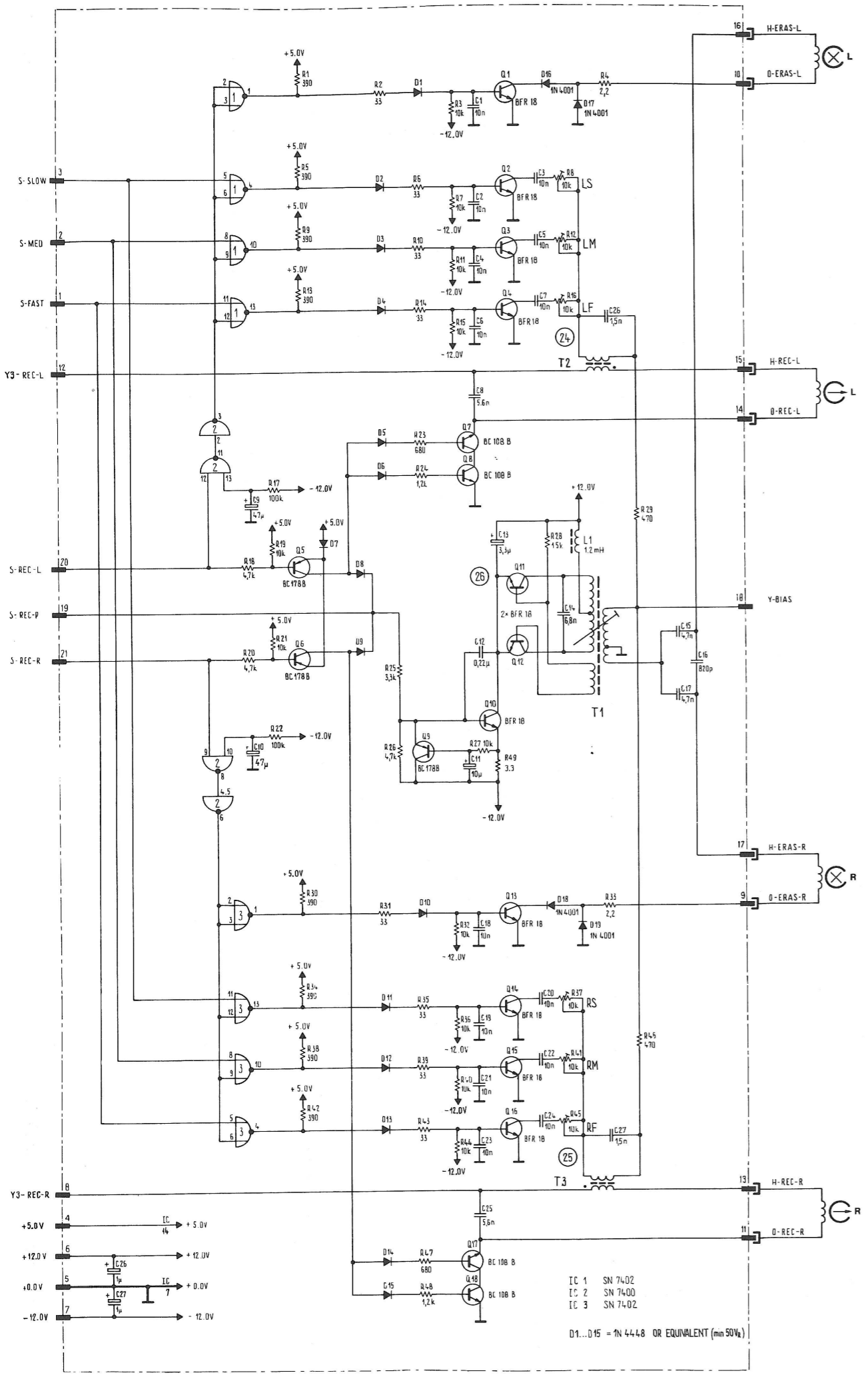
TAPE TRANSPORT CONTROL
1.067.230

SOLENOID SECTION

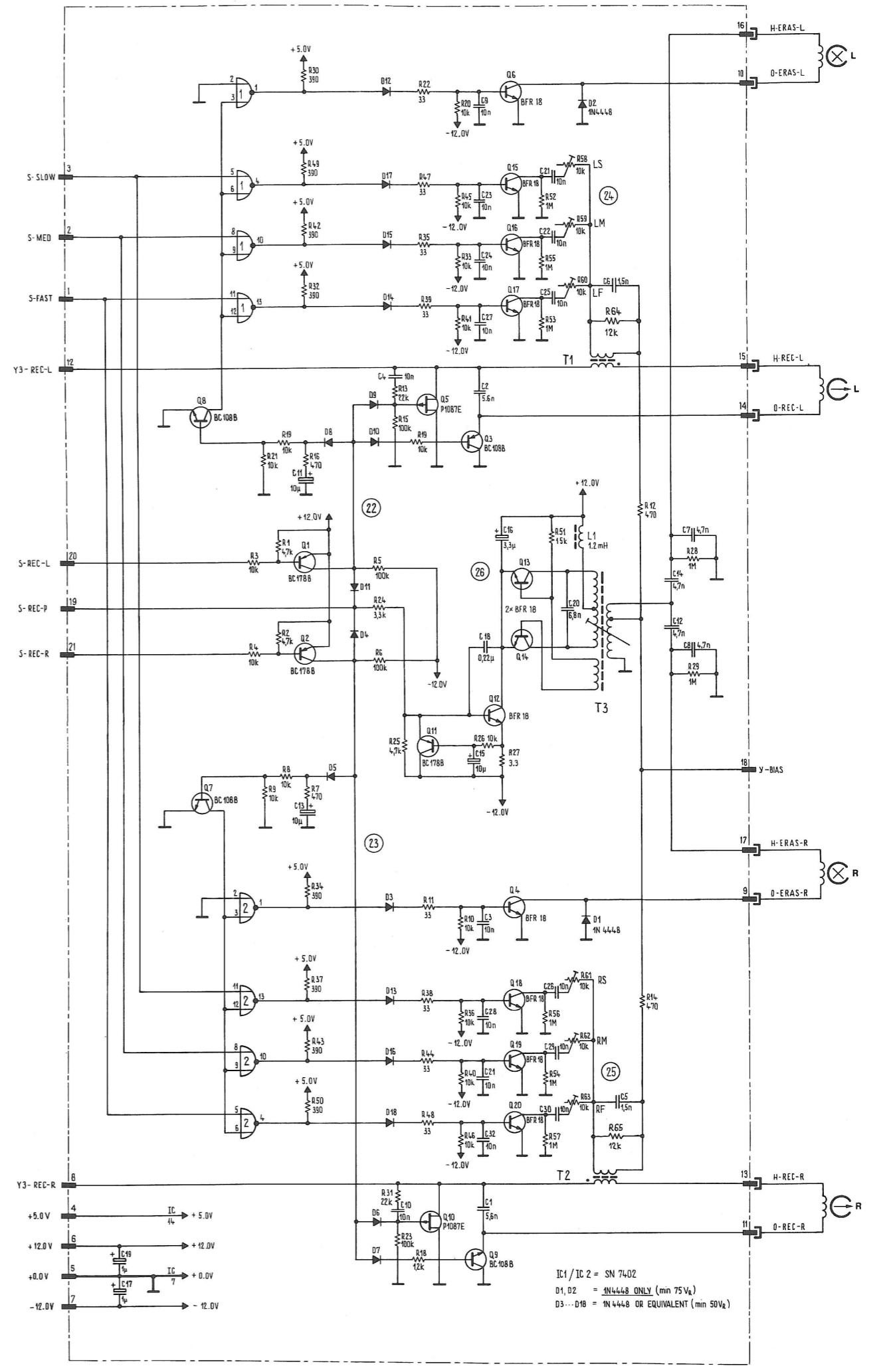


HEAD ELECTRONICS

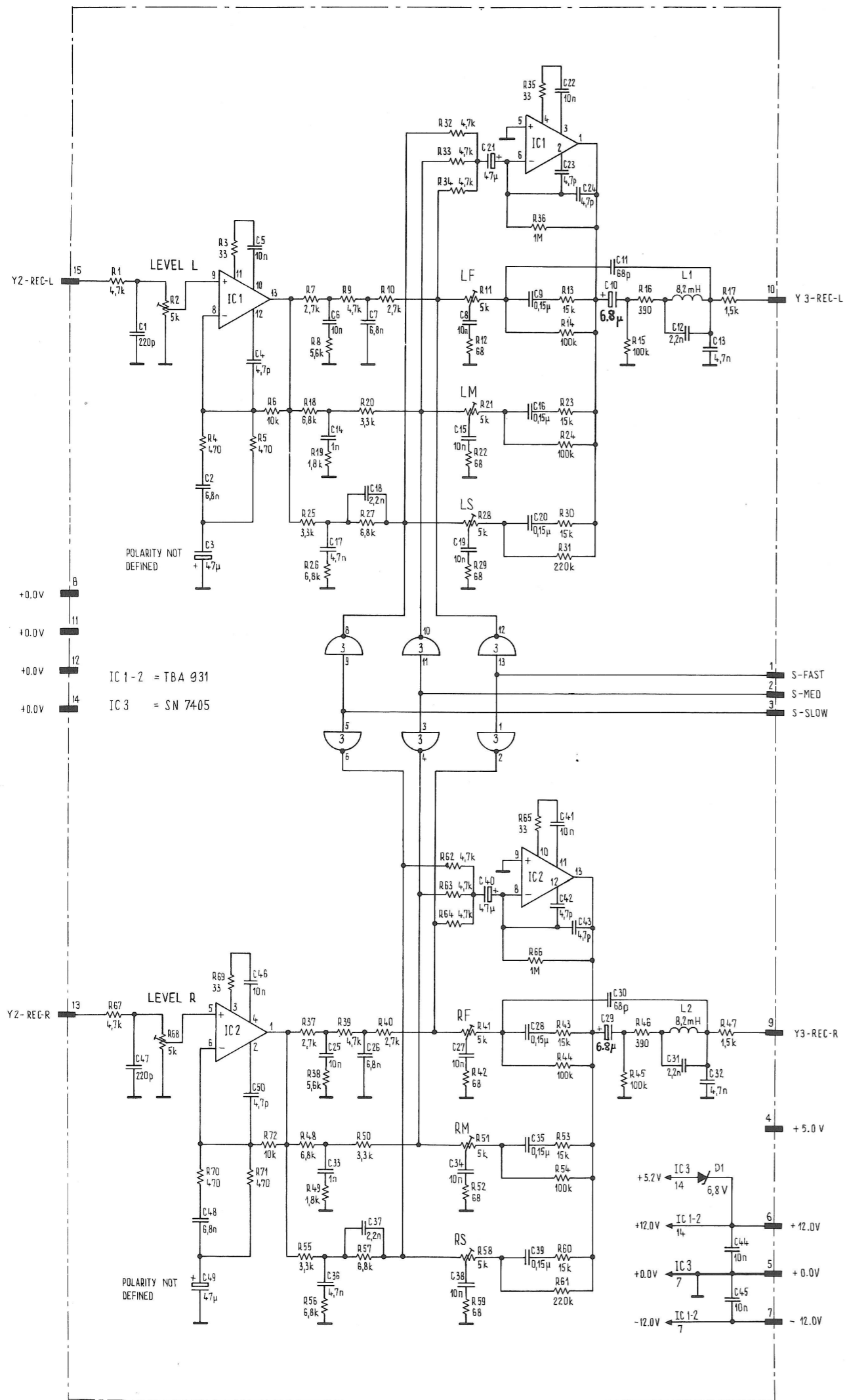




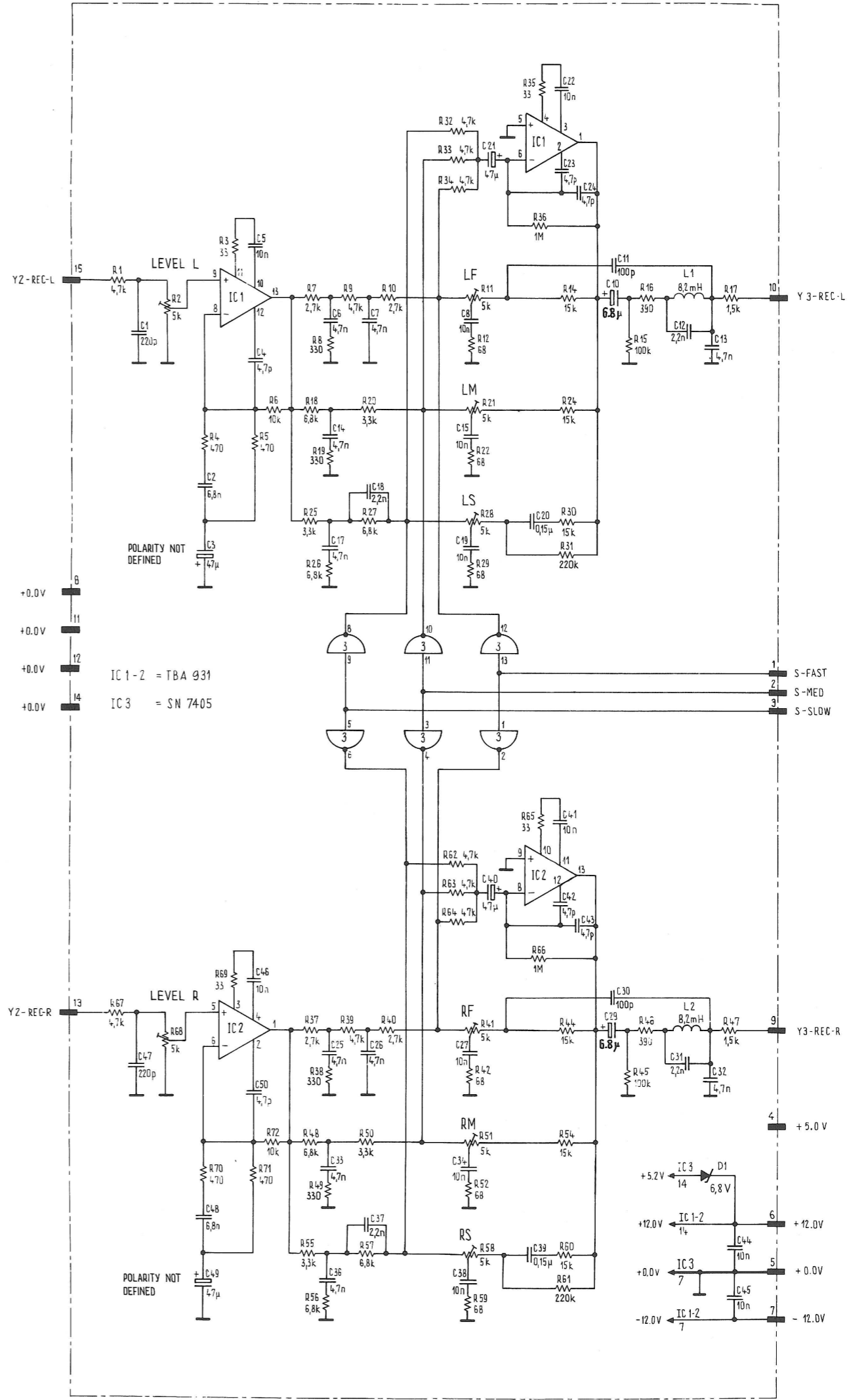
OSCILLATOR 1.067.265



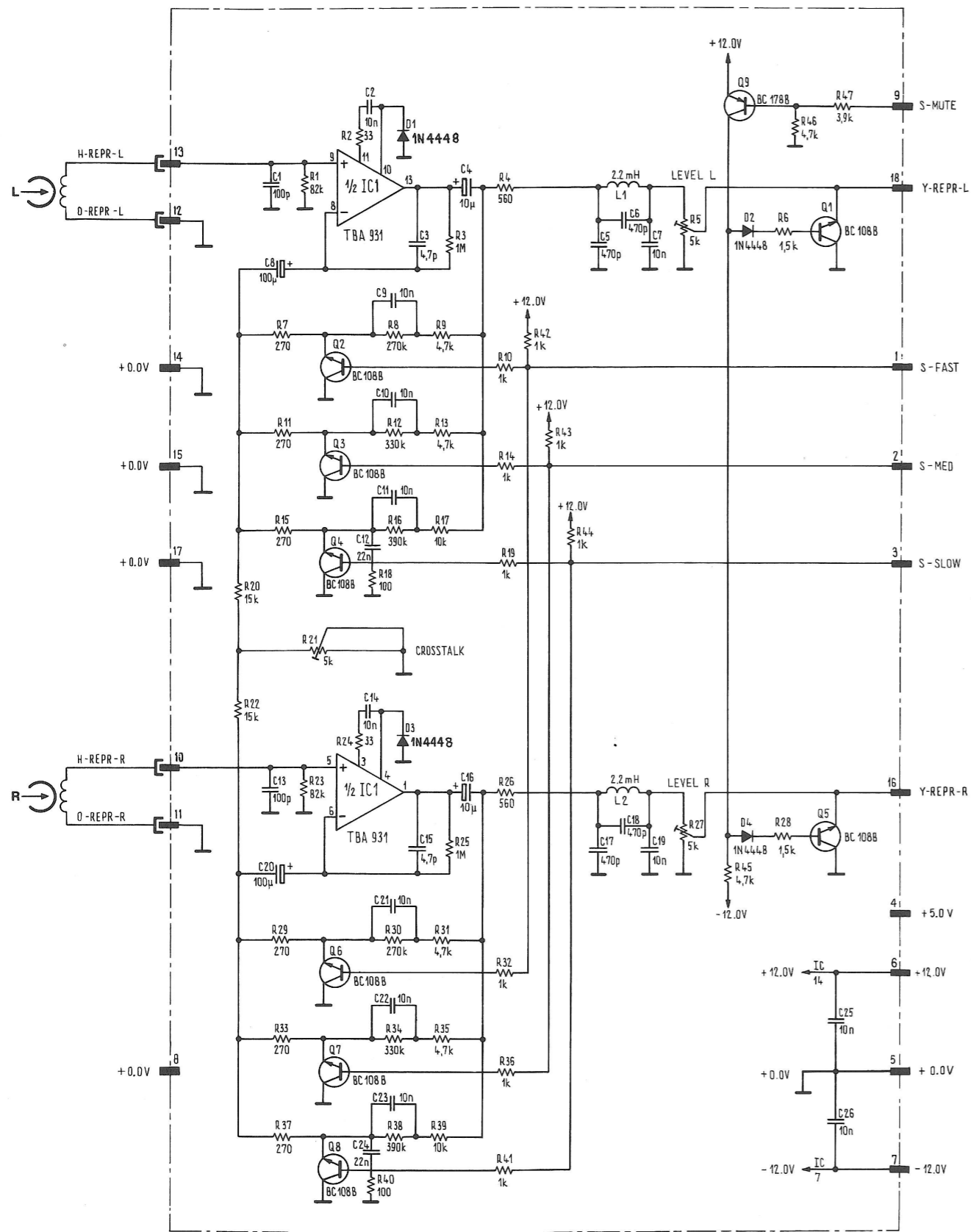
OSCILLATOR 1.067.267



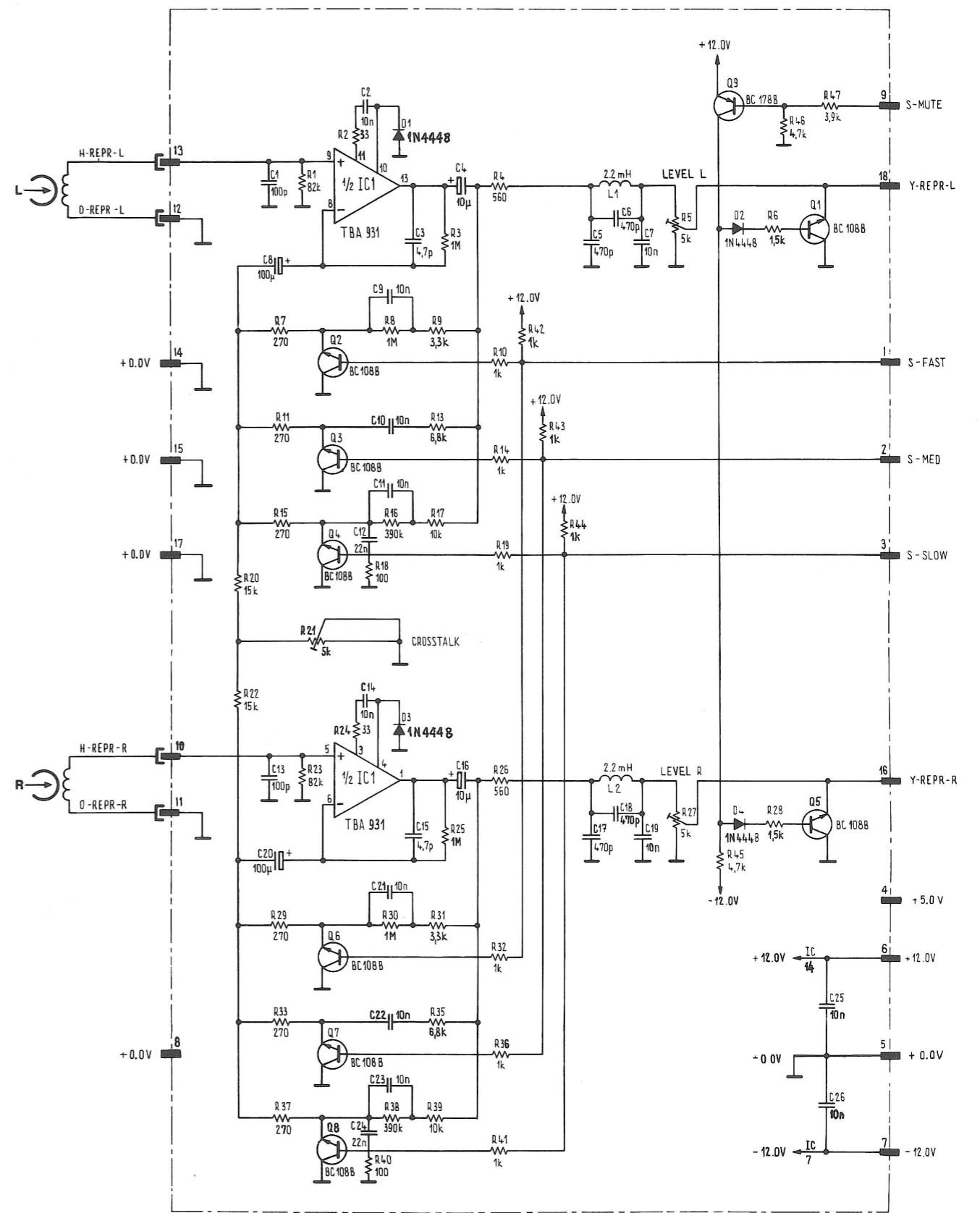
RECORD AMPLIFIER NAB 1.067.260



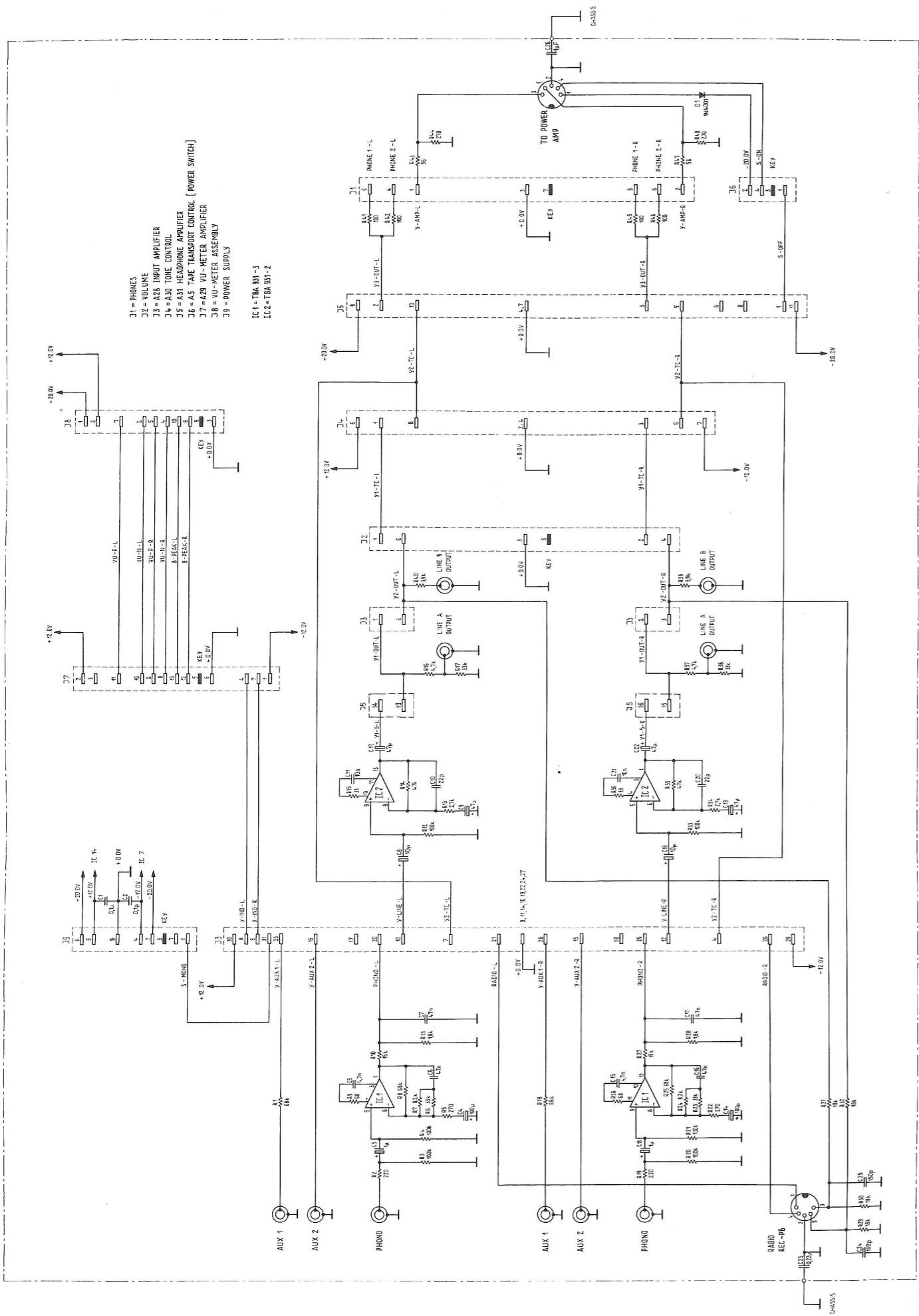
RECORD AMPLIFIER CCIR 1.067.261



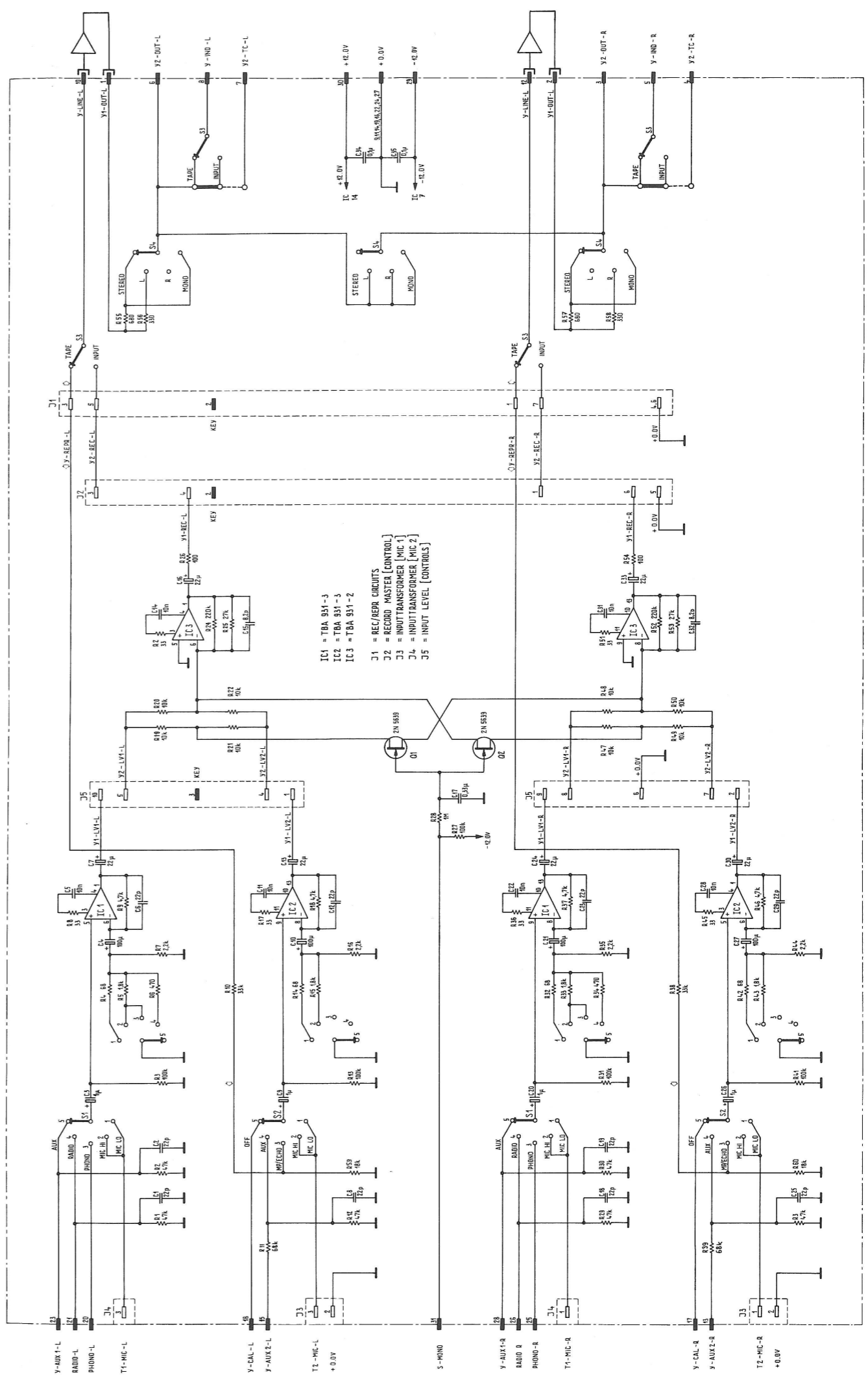
REPRODUCE AMPLIFIER NAB 1.067.270



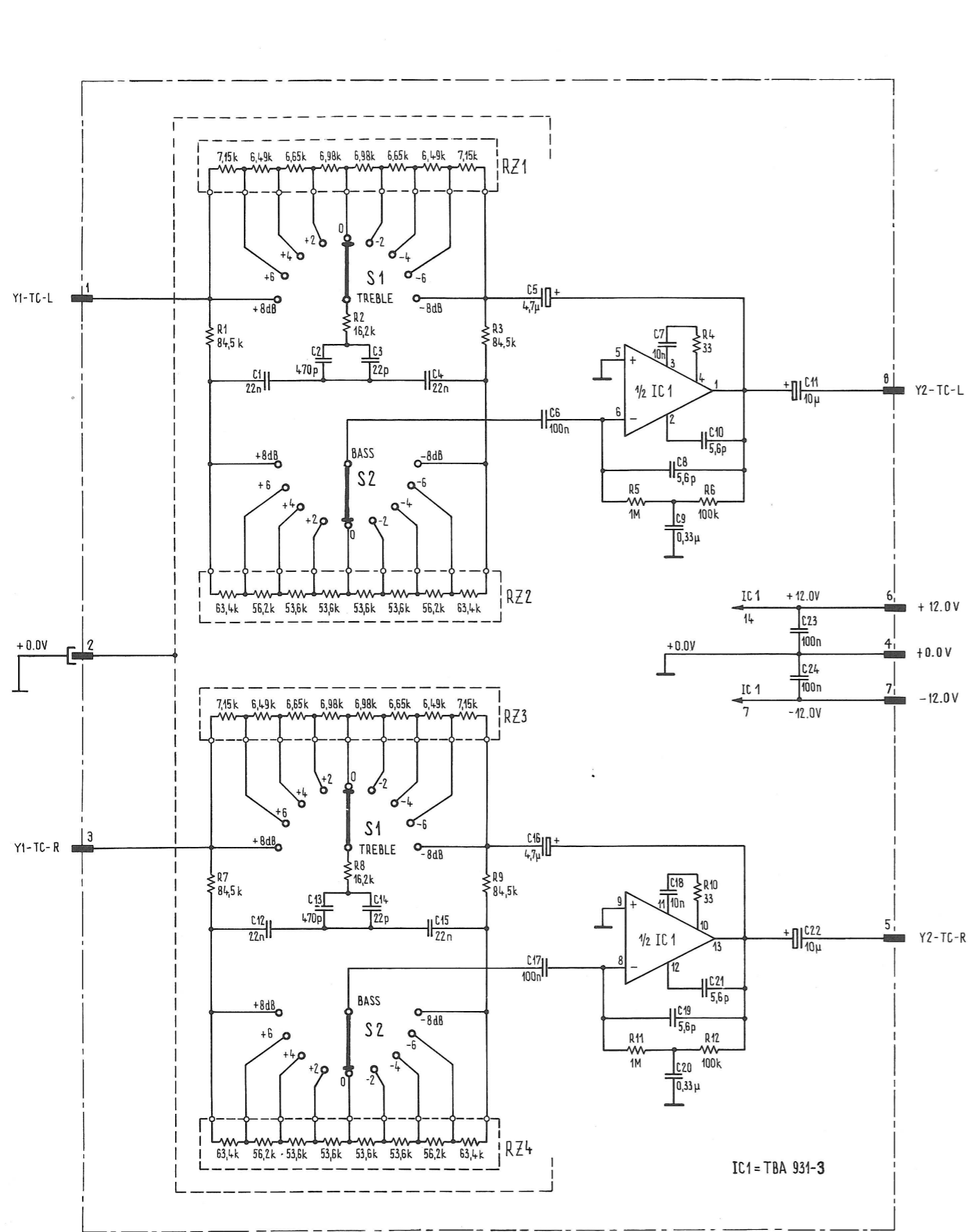
REPRODUCE AMPLIFIER CCIR 1.067.271



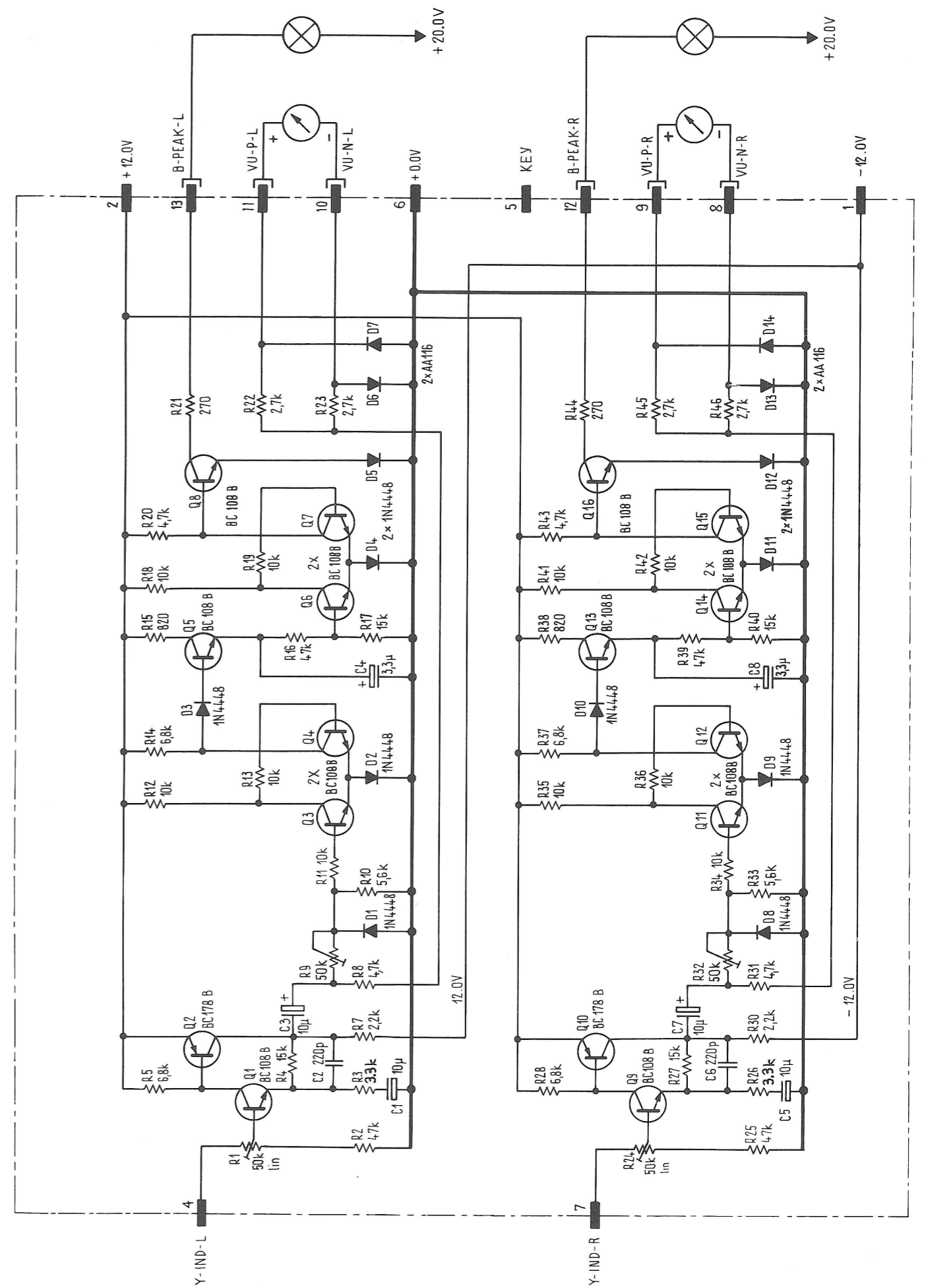
INTERCONNECTION BOARD 1.067.416



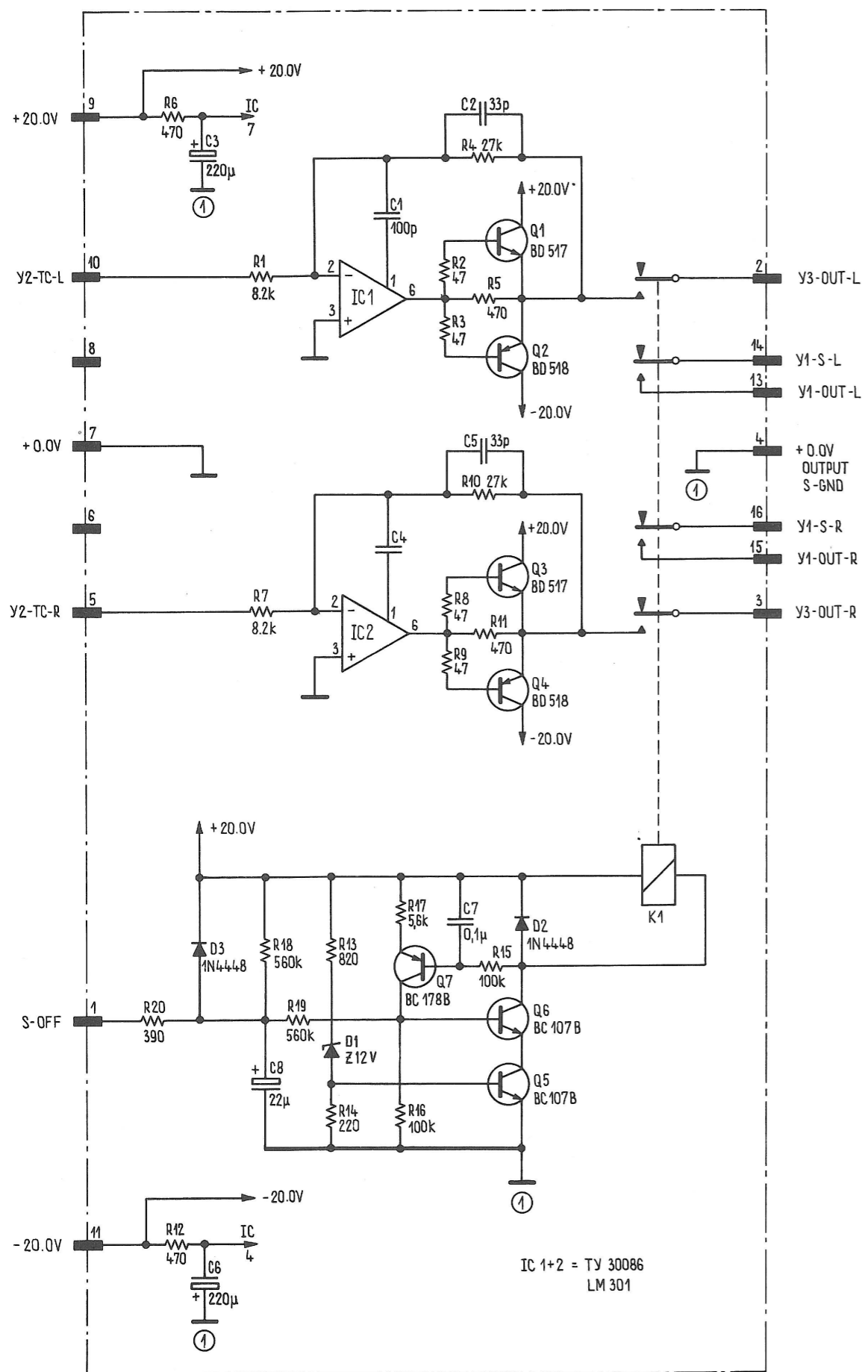
INPUT AMPLIFIER 1.067.405



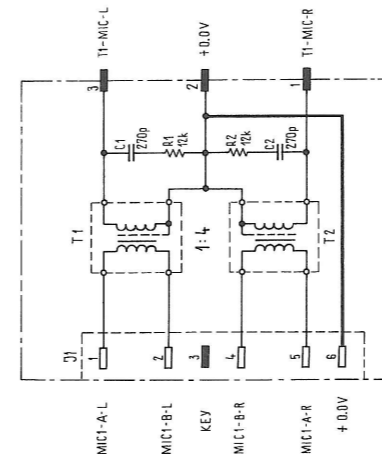
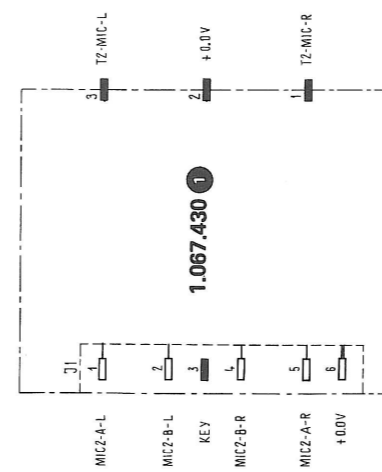
TONE CONTROL 1.067.410



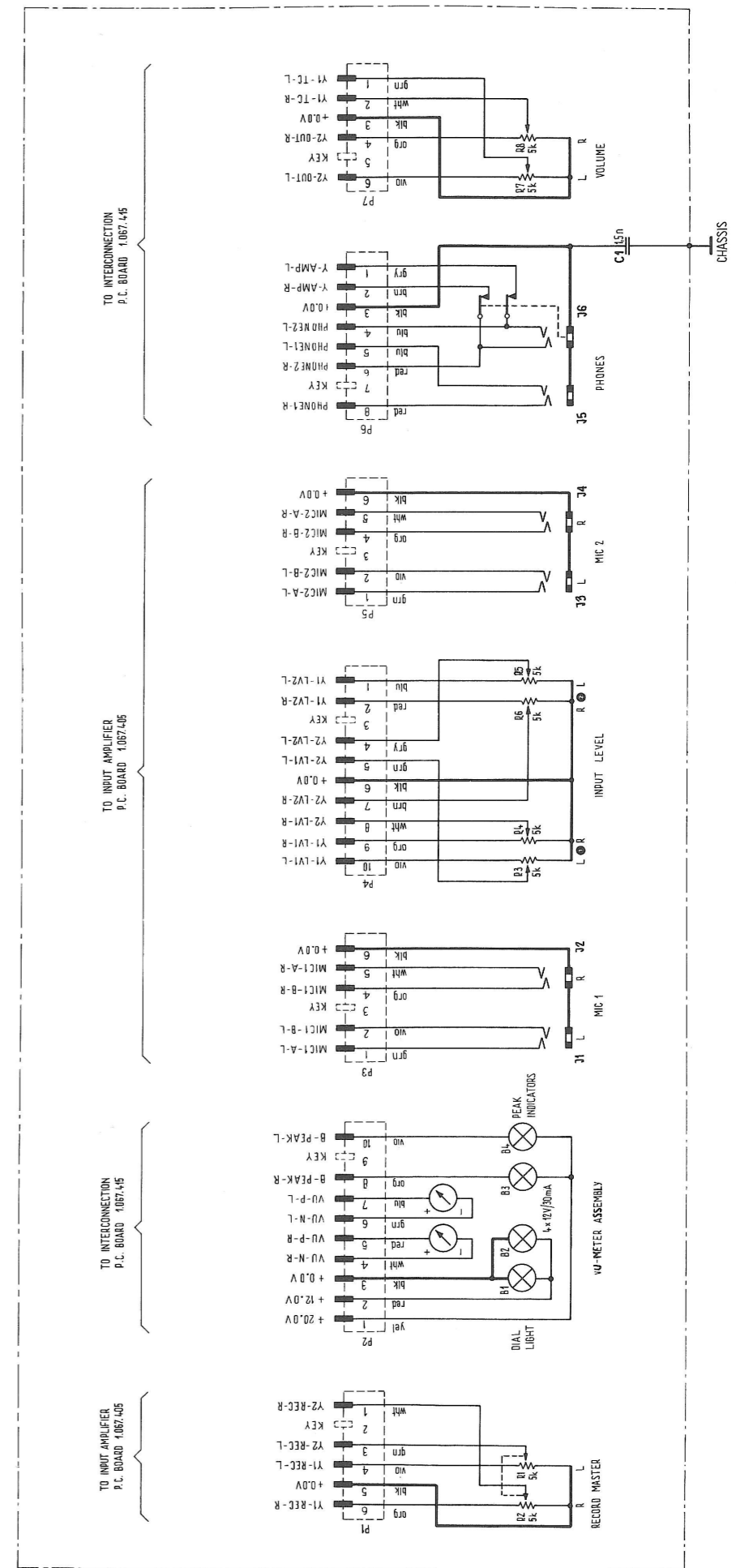
VU-METER AMPLIFIER 1.067.425



HEADPHONE AMPLIFIER 1.067.421



INPUT TRANSFORMER 1.067.430



FRONT PANEL